

## Waterloo: 18 June 1815

### The Anglo-Allied Force commanded by Wellington

```

-----
| 1ST BRITISH GUARD DIVISION |
| AT WATERLOO                 | COOKE
-----

```

```

|
|-----
|
|
|
|-----
| INF | | INF | | DIV |
| BRG | | BRG | | ART |
|-----

```

```

|
|
|
|-----
| INF | | INF | | MED |
| BTN | | INF | | ART |
|-----

```

```

|-----
| INF | | INF | | MED |
| BTN | | INF | | ART |
|-----

```

#### Summary:

4 Battalions  
2 Artillery Batteries

#### 1ST BRITISH GUARD DIVISION at Waterloo under Cooke

Infantry Brigade: Maitland

1) Guard Infantry	2/1	Light, Strength = 8, QR = Veteran
2) Guard Infantry	3/1	Light, Strength = 8, QR = Veteran

Infantry Brigade: Byng

3) Guard Infantry	2/Coldstream	Light, Strength = 10, QR = Veteran
4) Line Infantry	2/3	Light, Strength = 10, QR = Veteran

Division Artillery: Adaye

5) Guard Foot Artillery		Medium Artillery, Strength = 3, QR = Veteran
6) KGL Horse Artillery		Medium Artillery, Strength = 3, QR = Veteran

```

-----
| 2ND BRITISH DIVISION |
| AT WATERLOO         | CLINTON
-----

```

```

|
|-----
| | | | | | | |
|---|---|---|---|---|---|---|
| INF | | KGL | | HAN | | DIV |
| BRG | | BRG | | BRG | | ART |
|-----
| | | | | | | |
|---|---|---|---|---|---|---|
| INF | | INF | | INF | | MED |
| BTN | | INF | | BTN | | ART |
|-----
| INF | | INF | | INF | | MED |
| BTN | | INF | | BTN | | ART |
|-----
| INF | | INF | | INF |
| BTN | | INF | | BTN |
|-----
| INF | | INF | | INF |
| BTN | | INF | | BTN |
|-----

```

**Summary:**

12 Battalions

2 Artillery Batteries

**2ND BRITISH DIVISION at Waterloo under Clinton**

## Infantry Brigade: Adam

1) Line Infantry	1/52	Strength = 10, QR = Average
2) Line Infantry	71 <sup>st</sup>	Strength = 10, QR = Average
3) Line Infantry	2/95	Strength = 6, QR = Average
4) Line Infantry	3/95	Strength = 2, QR = Average

## Infantry Brigade (KGL): du Platt

5) Line Infantry	1 <sup>st</sup>	Strength = 5, QR = Average
6) Line Infantry	2 <sup>nd</sup>	Strength = 5, QR = Average
7) Line Infantry	3 <sup>rd</sup>	Strength = 6, QR = Average
8) Line Infantry	4 <sup>th</sup>	Strength = 5, QR = Average

## Infantry Brigade (Hanoverian): Halkett

9) Line Infantry	Brem	Strength = 6, QR = Average
10) Line Infantry	Osna	Strength = 6, QR = Average
11) Line Infantry	Quac	Strength = 6, QR = Average
12) Line Infantry	Salz	Strength = 6, QR = Average

## Division Artillery:

13) Foot Artillery	Medium Artillery, Strength = 3, QR = Veteran
14) KGL Horse Artillery	Medium Artillery, Strength = 3, QR = Veteran

```

-----
| 3RD BRITISH DIVISION |
| AT WATERLOO         | ALTERN
-----

```

```

|
|-----
|   |   |   |   | | | |
|---|---|---|---|---|---|---|
| INF | | KGL | | HAN | | DIV |
| BRG | | BRG | | BRG | | ART |
|---|---|---|---|
|   |   |   |   |
|---|---|---|---|
| INF | | INF | | INF | | MED |
| BTN | | INF | | BTN | | ART |
|---|---|---|---|
| INF | | INF | | LT  | | MED |
| BTN | | INF | | BTN | | ART |
|---|---|---|---|
| INF | | INF | | INF |
| BTN | | INF | | BTN |
|---|---|---|---|
| INF | | INF | | INF |
| BTN | | INF | | BTN |
|---|---|---|---|
|   |   |
|   |   |
|---|---|
|   |   |
|   |   |
|---|---|

```

**Summary:**

14 Battalions  
2 Artillery Batteries

**3RD BRITISH DIVISION at Waterloo under Altern**

## Infantry Brigade: Halkett

1) Line Infantry	2/30	Strength = 6, QR = Average
2) Line Infantry	33	Strength = 6, QR = Average
3) Line Infantry	2/69	Strength = 6, QR = Average
4) Line Infantry	2/73	Strength = 5, QR = Average

## Infantry Brigade (KGL): Ompteda

5) Light Infantry	1 <sup>st</sup>	Light, Strength = 5, QR = Average
6) Light Infantry	2 <sup>nd</sup>	Light, Strength = 4, QR = Average
7) Line Infantry	5 <sup>th</sup>	Strength = 5, QR = Average
8) Line Infantry	8 <sup>th</sup>	Strength = 6, QR = Average

## Infantry Brigade (Hanoverian): Kielmannsegge

9) Line Infantry	DofY	Strength = 6, QR = Average
10) Light Infantry	Grub	Light, Strength = 6, QR = Average
11) Line Infantry	Brem	Strength = 5, QR = Average
12) Line Infantry	Verd	Strength = 5, QR = Average
13) Light Infantry	Lune	Light, Strength = 6, QR = Average
14) Jager	1 <sup>st</sup>	Light, Strength = 3, QR = Average

## Division Artillery:

15) Foot Artillery	Medium Artillery, Strength = 3, QR = Veteran
16) KGL Foot Artillery	Medium Artillery, Strength = 3, QR = Veteran

```

-----
| 4TH BRITISH DIVISION |
| AT WATERLOO         | CLINTON
-----

```

```

|
|-----
|   |   |   |   |
|---|---|---|---|
| INF | INF | HAN | DIV |
| BRG | BRG | BRG | ART |
|---|---|---|---|
|   |   |   |   |
|---|---|---|---|
| INF | INF | INF | MED |
| BTN | INF | BTN | ART |
|---|---|---|---|
|---|---|---|---|
| INF | INF | INF |
| BTN | INF | BTN |
|---|---|---|---|
|---|---|---|---|
| INF | INF | INF |
| BTN | INF | BTN |
|---|---|---|---|
|---|---|---|---|
|   |   |
| INF | INF |
| BTN | INF |
|---|---|---|---|
|---|---|---|---|
|   |   |
| INF |
| BTN |
|---|---|---|---|

```

**Summary:**

12 Battalions

1 Artillery Battery

**4TH BRITISH DIVISION at Waterloo under Clinton**

## Infantry Brigade: Mitchell

1) Line Infantry	3/14	Strength = 6, QR = Average
2) Line Infantry	23 <sup>d</sup>	Strength = 7, QR = Average
3) Line Infantry	1/51	Strength = 6, QR = Average

## Infantry Brigade: Johnstone (see note)

5) Line Infantry	2/35	Strength = 6, QR = Average
6) Line Infantry	1/54	Strength = 5, QR = Average
7) Line Infantry	2/59	Strength = 5, QR = Average
8) Line Infantry	1/91	Strength = 5, QR = Average

## Infantry Brigade (Hanoverian): Lyon (see note)

9) Line Infantry	Lau	Strength = 5, QR = Average
10) Line Infantry	Cal	Strength = 6, QR = Average
11) Line Infantry	Nien	Strength = 6, QR = Average
12) Line Infantry	Bent	Strength = 6, QR = Average
12) Line Infantry	Hoya	Strength = 6, QR = Average

## Division Artillery:

13) Hanoverian Foot Artillery	Medium Artillery, Strength = 3, QR = Average
-------------------------------	--

**Note:** The brigade under Johnstone and the Hanoverian brigade were not at Waterloo but deployed near Hal to the west. However, the Hanoverian artillery was at Waterloo.

```

-----
| 5TH BRITISH DIVISION |
| AT WATERLOO         | PICTON
-----

```

```

|
|-----
|   |   |   |   |
|---|---|---|---|
| INF | INF | HAN | DIV |
| BRG | BRG | BRG | ART |
|---|---|---|---|
|   |   |   |   |
|---|---|---|---|
| INF | INF | INF | MED |
| BTN | INF | BTN | ART |
|---|---|---|---|
| INF | INF | INF | MED |
| BTN | INF | BTN | ART |
|---|---|---|---|
| INF | INF | INF |
| BTN | INF | BTN |
|---|---|---|
| INF | INF | INF |
| INF | BTN | INF |
|---|---|---|

```

**Summary:**

12 Battalions

2 Artillery Batteries

**5TH BRITISH DIVISION at Waterloo under Picton**

## Infantry Brigade: Kempt

1) Line Infantry	28 <sup>th</sup>	Strength = 6, QR = Average
2) Line Infantry	32 <sup>nd</sup>	Strength = 5, QR = Average
3) Line Infantry	79 <sup>th</sup>	Strength = 4, QR = Average
4) Line Infantry	95 <sup>th</sup>	Light, Rifle armed, Strength = 4, QR = Average

## Infantry Brigade: Pack

5) Line Infantry	3/1	Strength = 5, QR = Average
6) Line Infantry	42 <sup>nd</sup>	Strength = 4, QR = Average
7) Line Infantry	2/44	Strength = 5, QR = Average
8) Line Infantry	92 <sup>nd</sup>	Strength = 4, QR = Average

## Infantry Brigade (Hanoverian): von Vincke

9) Line Infantry	Gifh	Strength = 6, QR = Average
10) Line Infantry	Ham	Strength = 7, QR = Average
11) Line Infantry	Hild	Strength = 6, QR = Average
12) Line Infantry	Pein	Strength = 6, QR = Average

## Division Artillery:

13) Foot Artillery	Medium Artillery, Strength = 3, QR = Veteran
14) Hanoverian Foot Artillery	Medium Artillery, Strength = 3, QR = Average



-----  
 | 1ST BRITISH HOUSEHOLD CAVALRY BRIGADE |  
 | AT WATERLOO | SOMERSET  
 -----

|  
 -----  
 |CAV|  
BRG

|  
 -----  
 |MED|  
CAV

|MED|  
CAV

|MED|  
CAV

|MED|  
CAV

### Summary:

4 Cavalry Regiments

### 1ST BRITISH HOUSEHOLD CAVALRY BRIGADE at Waterloo under Somerset

Cavalry Brigade:

- |                   |                 |  |
|-------------------|-----------------|--|
| 1) Life Guard     | 1 <sup>st</sup> | Medium Cavalry, Strength = 3, QR = Veteran |
| 2) Life Guard     | 2 <sup>nd</sup> | Medium Cavalry, Strength = 3, QR = Veteran |
| 3) Horse Guard    | 1 <sup>st</sup> | Medium Cavalry, Strength = 3, QR = Veteran |
| 4) Guard Dragoons | 1 <sup>st</sup> | Medium Cavalry, Strength = 3, QR = Veteran |

-----  
 | 2ND BRITISH CAVALRY BRIGADE |  
 | AT WATERLOO | PONSONBY  
 -----

|  
 -----  
 |CAV|  
BRG

|  
 -----  
 |MED|  
CAV

|MED|  
CAV

|MED|  
CAV

### Summary:

3 Cavalry Regiments

### 2ND BRITISH CAVALRY BRIGADE at Waterloo under Ponsonby

Cavalry Brigade:

- |             |                 |  |
|-------------|-----------------|--|
| 1) Dragoons | 1 <sup>st</sup> | Medium Cavalry, Strength = 5, QR = Veteran |
| 2) Dragoons | 2 <sup>nd</sup> | Medium Cavalry, Strength = 5, QR = Veteran |
| 3) Dragoons | 6 <sup>th</sup> | Medium Cavalry, Strength = 5, QR = Veteran |

```

-----
| 3RD BRITISH CAVALRY BRIGADE |
| AT WATERLOO                 | DORNBERG
-----

```

```

-----
| CAV |
| BRG |
-----

```

```

-----
| MED |
| CAV |
-----

```

```

-----
| MED |
| CAV |
-----

```

```

-----
| MED |
| CAV |
-----

```

**Summary:**

3 Cavalry Regiments

**3RD BRITISH CAVALRY BRIGADE at Waterloo under Dornberg**

Cavalry Brigade:

- |                       |                  |  |
|-----------------------|------------------|--|
| 1) Light Dragoons     | 23 <sup>rd</sup> | Medium Cavalry, Strength = 4, QR = Veteran |
| 2) KGL Light Dragoons | 1 <sup>st</sup>  | Medium Cavalry, Strength = 6, QR = Veteran |
| 3) Dragoons           | 2 <sup>nd</sup>  | Medium Cavalry, Strength = 5, QR = Veteran |

```

-----
| 4TH BRITISH CAVALRY BRIGADE |
| AT WATERLOO                 | VANDELEUR
-----

```

```

-----
| CAV |
| BRG |
-----

```

```

-----
| MED |
| CAV |
-----

```

```

-----
| MED |
| CAV |
-----

```

```

-----
| MED |
| CAV |
-----

```

**Summary:**

3 Cavalry Regiments

**4TH BRITISH CAVALRY BRIGADE at Waterloo under Vandeleur**

Cavalry Brigade:

- |                   |                  |  |
|-------------------|------------------|--|
| 1) Light Dragoons | 11 <sup>th</sup> | Medium Cavalry, Strength = 5, QR = Veteran |
| 2) Light Dragoons | 12 <sup>th</sup> | Medium Cavalry, Strength = 5, QR = Veteran |
| 3) Light Dragoons | 16 <sup>th</sup> | Medium Cavalry, Strength = 5, QR = Veteran |



```

-----
| 5TH BRITISH CAVALRY BRIGADE |
| AT WATERLOO | GRANT
-----

```

```

|
-----
|CAV|
|BRG|
-----

```

```

|
-----
|MED|
|CAV|
-----

```

```

-----
|MED|
|CAV|
-----

```

```

-----
|MED|
|CAV|
-----

```

**Summary:**

3 Cavalry Regiments

**5TH BRITISH CAVALRY BRIGADE at Waterloo under Grant**

Cavalry Brigade:

- |                   |                  |   |
|-------------------|------------------|---|
| 1) Hussars        | 7 <sup>th</sup>  | Light Cavalry, Strength = 4, QR = Veteran |
| 2) Hussars        | 15 <sup>th</sup> | Light Cavalry, Strength = 5, QR = Veteran |
| 3) Light Dragoons | 13 <sup>th</sup> | Light Cavalry, Strength = 6, QR = Veteran |

```

-----
| 6TH BRITISH CAVALRY BRIGADE |
| AT WATERLOO | VIVIAN
-----

```

```

|
-----
|CAV|
|BRG|
-----

```

```

|
-----
|MED|
|CAV|
-----

```

```

-----
|MED|
|CAV|
-----

```

```

-----
|MED|
|CAV|
-----

```

```

-----
|MED|
|HRS|
-----

```

**Summary:**

3 Cavalry Regiments

1 Artillery Battery

**6TH BRITISH CAVALRY BRIGADE at Waterloo under Vivian**

Cavalry Brigade:

- |                    |                  |   |
|--------------------|------------------|---|
| 1) Hussars         | 10 <sup>th</sup> | Light Cavalry, Strength = 5, QR = Veteran |
| 2) Hussars         | 18 <sup>th</sup> | Light Cavalry, Strength = 5, QR = Veteran |
| 3) KGL Hussars     | 1 <sup>st</sup>  | Light Cavalry, Strength = 6, QR = Veteran |
| 4) Horse Artillery | E                | Medium, Strength = 3, QR = Veteran        |

Mini-Nap 2 Corps Guidelines and Lists

```

-----
| 7TH BRITISH CAVALRY BRIGADE |
| AT WATERLOO                 | ARENSCHILDT
-----

```

```

-----
| CAV |
| BRG |
-----

```

```

-----
| MED |
| CAV |
-----

```

**Summary:**  
1 Cavalry Regiment

**7TH BRITISH CAVALRY BRIGADE at Waterloo under Arenschildt**

Cavalry Brigade:  
1) KGL Hussars                    3<sup>rd</sup>            Light Cavalry, Strength = 7, QR = Veteran

```

-----
| HANOVERIAN CAVALRY BRIGADE |
| AT WATERLOO                 | ESTORFF
-----

```

```

-----
| CAV |
| BRG |
-----

```

```

-----
| LT |
| CAV |
-----

```

**Summary:**  
1 Cavalry Regiment

**HANOVERIAN CAVALRY BRIGADE at Waterloo under Estorff**

Cavalry Brigade:  
1) Hussars    Light Cavalry, Strength = 5, QR = Average

```

-----
| ROYAL HORSE ARTILLERY      |
| ATTACHED TO THE CAVALRY   |
| AT WATERLOO                |
-----

```

```

-----
| MED | | MED | | MED | | MED | | MED |
| HRS | | HRS | | HRS | | HRS | | HRS |
-----

```

**Summary:**  
5 Artillery Batteries

**ROYAL HORSE ARTILLERY attached to the cavalry at Waterloo**

- 1) Horse Artillery            F            Medium, Strength = 3, QR = Veteran (armed with all howitzers)
- 2) Horse Artillery            G            Medium, Strength = 3, QR = Veteran
- 3) Horse Artillery            H            Medium, Strength = 3, QR = Veteran
- 4) Horse Artillery            I            Medium, Strength = 3, QR = Veteran
- 5) Horse Artillery            2<sup>nd</sup>        Medium, Strength = 3, QR = Veteran (5 x 6pdr plus a rocket section)

```

-----
| BRUNSWICK DIVISION |
| AT WATERLOO       | OLFERMANN
-----

```

```

|
|-----
|
|
|
|

```

```

|INF| |INF| |CAV| |DIV|
|BRG| |BRG| |BRG| |ART|
-----

```

```

|
|
|
|

```

```

|LT | |INF| |LT | |MED|
|INF| |BTN| |CAV| |ART|
-----

```

```

|INF| |INF| |LT | |MED|
|BTN| |BTN| |CAV| |HRS|
-----

```

```

|LT | |INF|
|INF| |BTN|
-----

```

```

|LT |
|INF|
-----

```

```

|LT |
|INF|
-----

```

**Summary:**

- 8 Battalions
- 2 Cavalry Regiments
- 2 Artillery Batteries

**BRUNSWICK DIVISION at Waterloo under acting commander Olfermann**

Infantry Brigade: Buttlar

- |                   |                 |                                   |
|-------------------|-----------------|-----------------------------------|
| 1) Jager          |                 | Light, Strength = 6, QR = Average |
| 2) Line Infantry  |                 | Strength = 6, QR = Average        |
| 3) Light Infantry | 1 <sup>st</sup> | Light, Strength = 7, QR = Average |
| 4) Light Infantry | 2 <sup>nd</sup> | Light, Strength = 6, QR = Average |
| 5) Line Infantry  | 3 <sup>rd</sup> | Light, Strength = 7, QR = Average |

Infantry Brigade: Specht

- |                  |                 |                            |
|------------------|-----------------|----------------------------|
| 6) Line Infantry | 1 <sup>st</sup> | Strength = 6, QR = Average |
| 7) Line Infantry | 2 <sup>nd</sup> | Strength = 5, QR = Average |
| 8) Line Infantry | 3 <sup>rd</sup> | Strength = 7, QR = Average |

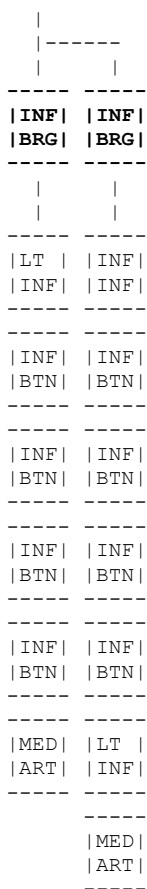
Cavalry Brigade: Cramm

- |            |                 |  |
|------------|-----------------|--|
| 9) Hussars | 2 <sup>nd</sup> | Light Cavalry, Strength = 4, QR = Average      |
| 10) Uhlan  | 1 <sup>st</sup> | Light, Lance armed, Strength = 3, QR = Average |

Division Artillery:

- |                     |  |  |
|---------------------|--|--|
| 11) Foot Artillery  |  | Medium Artillery, Strength = 3, QR = Veteran |
| 12) Horse Artillery |  | Medium Artillery, Strength = 3, QR = Veteran |

-----  
 | 2ND NETHERLAND DIVISION |  
 | AT WATERLOO | PERPONCHER  
 -----



**Summary:**  
 11 Battalions  
 2 Artillery Batteries

**2ND NETHERLAND DIVISION at Waterloo under Perponcher**

- Infantry Brigade: Bijlandt
- 1) Jager 27<sup>th</sup> Light, Strength = 5, QR = Average
  - 2) Line Infantry 7<sup>th</sup> Strength = 7, QR = Average
  - 3) Militia 5<sup>th</sup> Strength = 2, QR = Raw
  - 4) Militia 7<sup>th</sup> Strength = 6, QR = Raw
  - 5) Militia 8<sup>th</sup> Strength = 6, QR = Raw
  - 6) Foot Artillery Medium Artillery, Strength = 8, QR = Average
- Infantry Brigade: Saxe-Weinmar
- 7) Line Infantry 1/2 Strength = 9, QR = Average
  - 8) Line Infantry 2/2 Strength = 9, QR = Average
  - 9) Line Infantry 3/2 Strength = 9, QR = Average
  - 10) Line Infantry 1/28 Strength = 9, QR = Average
  - 11) Line Infantry 2/28 Strength = 7, QR = Average
  - 12) Jager 1<sup>st</sup> Light, Strength = 2, QR = Average
  - 13) Foot Artillery Medium Artillery, Strength = 2, QR = Average

```

-----
| 3RD NETHERLAND DIVISION |
| AT WATERLOO             | CHASSE
-----

```

```

|
|-----
|
|
-----
| INF | | INF |
| BRG | | BRG |
-----

```

```

|
|
-----
| LT | | LT |
| INF | | INF |
-----

```

```

| INF | | INF |
| BTN | | BTN |
-----

```

```

| INF | | INF |
| BTN | | BTN |
-----

```

```

| INF | | INF |
| BTN | | BTN |
-----

```

```

| INF | | INF |
| BTN | | BTN |
-----

```

```

| INF | | INF |
| BTN | | BTN |
-----

```

```

| MED | | MED |
| ART | | ART |
-----

```

**Summary:**

- 12 Battalions
- 2 Artillery Batteries

**3RD NETHERLAND DIVISION at Waterloo under Chasse**

Infantry Brigade: Detmers

- |                   |                  |  |
|-------------------|------------------|--|
| 1) Jager          | 35 <sup>th</sup> | Light, Strength = 6, QR = Average            |
| 2) Line Infantry  | 2 <sup>nd</sup>  | Strength = 7, QR = Average                   |
| 3) Militia        | 4 <sup>th</sup>  | Strength = 5, QR = Raw                       |
| 4) Militia        | 6 <sup>th</sup>  | Strength = 5, QR = Raw                       |
| 5) Militia        | 17 <sup>th</sup> | Strength = 5, QR = Raw                       |
| 6) Militia        | 19 <sup>th</sup> | Strength = 5, QR = Raw                       |
| 7) Foot Artillery |                  | Medium Artillery, Strength = 8, QR = Average |

Infantry Brigade: d'Aubreme

- |                    |                  |  |
|--------------------|------------------|--|
| 8) Jager           | 36 <sup>th</sup> | Light, Strength = 6, QR = Average            |
| 9) Line Infantry   | 3 <sup>rd</sup>  | Strength = 6, QR = Average                   |
| 10) Line Infantry  | 12 <sup>th</sup> | Strength = 4, QR = Average                   |
| 11) Line Infantry  | 13 <sup>th</sup> | Strength = 7, QR = Average                   |
| 12) Militia        | 3 <sup>rd</sup>  | Strength = 6, QR = Raw                       |
| 13) Militia        | 10 <sup>th</sup> | Strength = 6, QR = Raw                       |
| 14) Foot Artillery |                  | Medium Artillery, Strength = 8, QR = Average |

```

-----
| NETHERLAND CAVALRY DIVISION |
| AT WATERLOO | DE COLLAERT
-----

```

```

|
|-----
|
|
|-----
|CAV| |CAV| |CAV| |DIV|
|BRG| |BRG| |BRG| |ART|
|-----
|
|
|-----
|
|
|-----
|HVY| |LT | |LT | |MED|
|CAV| |CAV| |CAV| |HRS|
|-----
|
|
|-----
|
|
|-----
|HVY| |LT | |LT | |MED|
|CAV| |CAV| |CAV| |HRS|
|-----
|
|
|-----
|HVY|
|CAV|
|-----

```

**Summary:**

- 7 Cavalry Regiments
- 2 Artillery Batteries

**NETHERLANDS CAVALRY DIVISION at Waterloo under de Collaert**

- Cavalry Brigade: Trip
- 1) Carabiniers 1<sup>st</sup> Heavy Cavalry, Strength = 5, QR = Average
  - 2) Carabiniers 2<sup>nd</sup> Heavy Cavalry, Strength = 4, QR = Average
  - 3) Carabiniers 3<sup>rd</sup> Heavy Cavalry, Strength = 4, QR = Average
- Cavalry Brigade: Ghingy
- 4) Light Dragoons 4<sup>th</sup> Light Cavalry, Strength = 6, QR = Average
  - 5) Hussars 8<sup>th</sup> Light Cavalry, Strength = 6, QR = Average
- Cavalry Brigade: Merlen
- 6) Hussars 6<sup>th</sup> Light Cavalry, Strength = 5, QR = Average
  - 7) Light Dragoons 5<sup>th</sup> Light Cavalry, Strength = 3, QR = Average
- Division Artillery:
- 8) Horse Artillery Medium Artillery, Strength = 2, QR = Average
  - 9) Horse Artillery Medium Artillery, Strength = 2, QR = Average

```

-----
| NASSAU RESERVE DIVISION |
| AT WATERLOO             | von KRUSE
-----

```

```

|
|
-----
| INF |
| BRG |
-----

```

```

|
|
-----
| INF |
| BTN |
-----

```

```

| INF |
| BTN |
-----

```

```

| INF |
| BTN |
-----

```

**Summary:**

3 Battalions

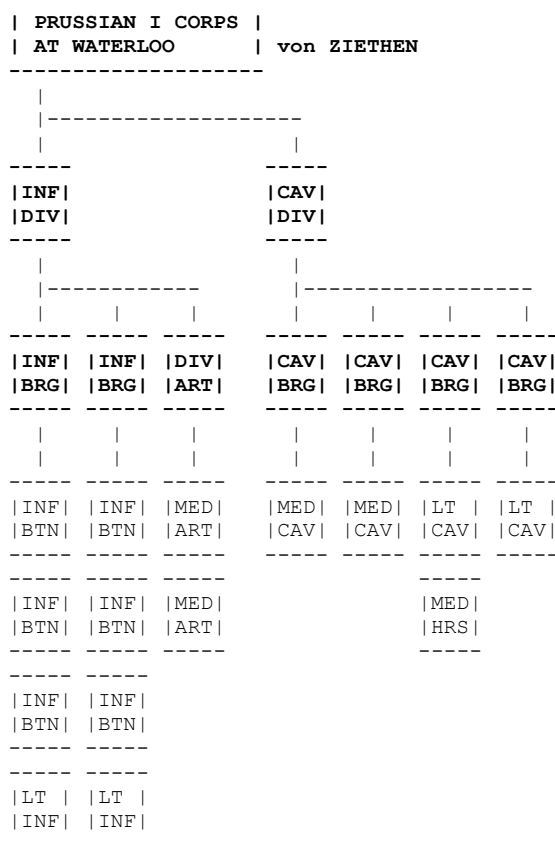
**NASSAU RESERVE DIVISION at Waterloo under von Kruse**

Infantry Brigade: Morrenhoffen

1) Line Infantry	1/1	Strength = 10, QR = Average
2) Line Infantry	2/1	Strength = 10, QR = Average
3) Line Infantry	3/1	Strength = 10, QR = Average

## Waterloo: 18 June 1815

### The Prussian Forces commanded by Blucher



#### Summary:

- 8 Infantry Battalions
- 4 Cavalry Regiments
- 3 Artillery Batteries

#### PRUSSIAN I CORPS at Waterloo under von Ziethen

##### Units: 1st Infantry "Brigade" (Division): Steinmetz

###### Infantry Brigade: Othegraven

- |               |                  |                                   |
|---------------|------------------|-----------------------------------|
| 1) Musketeers | 1/12             | Strength = 4, QR = Average        |
| 2) Musketeers | 2/12             | Strength = 4, QR = Average        |
| 3) Fusiliers  | 12 <sup>th</sup> | Strength = 4, QR = Average        |
| 4) Jager      | 1 <sup>st</sup>  | Light, Strength = 2, QR = Veteran |

###### Infantry Brigade: Laurens

- |                    |                  |                                   |
|--------------------|------------------|-----------------------------------|
| 4) Musketeers      | 1/24             | Strength = 4, QR = Average        |
| 5) Musketeers      | 2/24             | Strength = 4, QR = Average        |
| 6) Fusiliers       | 24 <sup>th</sup> | Strength = 4, QR = Average        |
| 7) Silesian Rifles |                  | Light, Strength = 2, QR = Veteran |

###### Division Artillery:

- |                   |  |
|-------------------|--|
| 7) Foot Artillery | Medium Artillery, Strength = 4, QR = Average |
| 8) Foot Artillery | Medium Artillery, Strength = 4, QR = Average |

##### Units: 1st Cavalry "Brigade" (Division): Treskow

###### Cavalry Brigade: Woiski

- |             |  |
|-------------|--|
| 1) Dragoons | Medium Cavalry, Strength = 3, QR = Average |
|-------------|--|

###### Cavalry Brigade: Osten

- |             |  |
|-------------|--|
| 2) Dragoons | Medium Cavalry, Strength = 4, QR = Average |
|-------------|--|



Cavalry Brigade: Engelhardt

3) Hussars

4) Horse Artillery

Light Cavalry, Strength = 3, QR = Veteran

Medium Artillery, Strength = 3, QR = Average

Cavalry Brigade: Stutterheim

5) Uhlan

Light Cavalry, Lance armed, Strength = 3, QR = Average



## Infantry Brigade: Reuss

5) Musketeers	1/26	Strength = 4, QR = Average
6) Musketeers	2/26	Strength = 4, QR = Average
7) Fusiliers	26	Strength = 4, QR = Average

## Infantry Brigade: Bismarck

8) Musketeers	1/1	Strength = 5, QR = Average
9) Musketeers	2/1	Strength = 5, QR = Average
10) Musketeers	3/1	Strength = 5, QR = Average

## Attached Cavalry Brigade:

11) Hussars	Light Cavalry, Strength = 2, QR = Veteran
-------------	---

## Division Artillery:

12) Foot Artillery	Medium Artillery, Strength = 4, QR = Average
--------------------	--

**Units: 7th Infantry "Brigade" (Division): Brause**

## Infantry Brigade: Reckow

1) Musketeers	1/2	Strength = 5, QR = Average
2) Musketeers	2/2	Strength = 5, QR = Average
3) Musketeers	3/2	Strength = 5, QR = Average
4) Jager		Light, Strength = 2, Rifle armed, QR = Veteran

## Attached Cavalry Brigade:

4) Hussars	Light Cavalry, Strength = 2, QR = Veteran
------------	---

## Division Artillery:

12) Foot Artillery	Medium Artillery, Strength = 4, QR = Average
--------------------	--

**Units: 2nd Cavalry "Brigade" (Division): Sohr**

## Cavalry Brigade:

1) Hussars	Light Cavalry, Strength = 5, QR = Veteran
2) Hussars	Light Cavalry, Strength = 5, QR = Veteran
3) Horse Artillery	Medium Artillery, Strength = 4, QR = Average

-----  
 | PRUSSIAN IV CORPS |  
 | AT WATERLOO | von DENNEWITZ  
 -----

----- (continued) -->>

INF					INF					INF				
DIV					DIV					DIV				
-----					-----					-----				
INF     INF     INF     CAV     DIV					INF     INF     INF     CAV     DIV					INF     INF     INF     CAV     DIV				
BRG     BRG     BRG     BRG     ART					BRG     BRG     BRG     BRG     ART					BRG     BRG     BRG     BRG     ART				
-----					-----					-----				
INF     INF     INF     LT     MED					INF     INF     INF     LT     MED					INF     INF     INF     LT     MED				
BTN     BTN     BTN     CAV     ART					BTN     BTN     BTN     CAV     ART					BTN     BTN     BTN     CAV     ART				
-----					-----					-----				
INF     INF     INF					INF     INF     INF					INF     INF     INF				
BTN     BTN     BTN					BTN     BTN     BTN					BTN     BTN     BTN				
-----					-----					-----				
INF     INF     INF					INF     INF     INF					INF     INF     INF				
BTN     BTN     BTN					BTN     BTN     BTN					BTN     BTN     BTN				
-----					-----					-----				

>>-----

INF					CAV		CAV		CAV		RES	
DIV					DIV		DIV		DIV		ART	
-----					-----		-----		-----		-----	
INF     INF     INF     CAV     DIV					CAV     CAV		CAV     CAV		CAV     CAV		DIV	
BRG     BRG     BRG     BRG     ART					BRG     BRG		BRG     BRG		BRG     BRG		ART	
-----					-----		-----		-----		-----	
INF     INF     INF     LT     MED					LT     LT		LT     LT		LT     LT		HVY	
BTN     BTN     BTN     CAV     ART					CAV     CAV		CAV     CAV		CAV     CAV		ART	
-----					-----		-----		-----		-----	
INF     INF     INF					MED		MED		LT		HVY	
BTN     BTN     BTN					HRS		HRS		CAV		ART	
-----					-----		-----		-----		-----	
INF     INF     INF					-----		-----		LT		HVY	
BTN     BTN     BTN					-----		-----		CAV		ART	
-----					-----		-----		-----		-----	
-----					-----		-----		LT		HVY	
-----					-----		-----		CAV		ART	
-----					-----		-----		-----		-----	
-----					-----		-----		LT		MED	
-----					-----		-----		CAV		HRS	
-----					-----		-----		-----		-----	

**Summary:**  
 34 Infantry Battalions  
 12 Cavalry Regiments  
 11 Artillery Batteries

**PRUSSIAN IV CORPS at Waterloo under von Dennewitz****Units: 13th Infantry "Brigade" (Division): Hake**

## Infantry Brigade: Lettow

1) Musketeers	1/10	Strength = 8, QR = Average
2) Musketeers	2/10	Strength = 8, QR = Average
3) Fusiliers	10	Strength = 8, QR = Average

## Infantry Brigade: Braunschweig

4) Musketeers	1/2	Strength = 7, QR = Average
5) Musketeers	2/2	Strength = 7, QR = Average
6) Musketeers	3/2	Strength = 7, QR = Average

## Infantry Brigade: Schmalensee

7) Musketeers	1/3	Strength = 8, QR = Average
8) Musketeers	2/3	Strength = 8, QR = Average
9) Musketeers	3/3	Strength = 8, QR = Average

## Attached Cavalry Brigade:

10) Hussars Light Cavalry, Strength = 2, QR = Veteran

## Division Artillery:

11) Foot Artillery Medium Artillery, Strength = 4, QR = Average

**Units: 14th Infantry "Brigade" (Division): Ryssel**

## Infantry Brigade: Reichenbach

1) Landwehr	1/11	Strength = 7, QR = Raw
2) Landwehr	2//11	Strength = 7, QR = Raw

## Infantry Brigade (Pomeranian): Brandenstein

3) Landwehr	1/26	Strength = 8, QR = Raw
4) Landwehr	2/26	Strength = 8, QR = Raw

## Infantry Brigade (Pomeranian): Pewels

5) Landwehr	1/1	Strength = 8, QR = Raw
6) Landwehr	2/1	Strength = 8, QR = Raw
7) Landwehr	3/1	Strength = 8, QR = Raw

## Attached Cavalry Brigade:

8) Silesian Landwehr Cavalry Light Cavalry, Strength = 2, QR = Raw

## Division Artillery:

9) Foot Artillery Medium Artillery, Strength = 4, QR = Average

**Units: 15th Infantry "Brigade" (Division): Losthin**

## Infantry Brigade: Loebell

1) Musketeers	1/18	Strength = 8, QR = Average
2) Musketeers	2/18	Strength = 8, QR = Average
3) Fusiliers	18	Strength = 8, QR = Average

## Infantry Brigade (Silesian): Thile

4) Musketeers	1/3	Strength = 6, QR = Average
5) Musketeers	2/3	Strength = 6, QR = Average
6) Musketeers	3/3	Strength = 6, QR = Average

## Infantry Brigade (Silesian): Massow

7) Musketeers	1/4	Strength = 6, QR = Average
8) Musketeers	2/4	Strength = 6, QR = Average
9) Musketeers	3/4	Strength = 6, QR = Average

## Attached Cavalry Brigade:

10) Silesian Landwehr Cavalry Light Cavalry, Strength = 2, QR = Raw

## Division Artillery:

11) Foot Artillery Medium Artillery, Strength = 4, QR = Average

**Units: 16th Infantry "Brigade" (Division): Gartringen**

## Infantry Brigade: Creilsheim

1) Musketeers	1/15	Strength = 8, QR = Average
2) Musketeers	2/15	Strength = 8, QR = Average
3) Fusiliers	15	Strength = 8, QR = Average

## Infantry Brigade (Silesian): Fischer

- |               |     |                            |
|---------------|-----|----------------------------|
| 4) Musketeers | 1/1 | Strength = 6, QR = Average |
| 5) Musketeers | 2/1 | Strength = 6, QR = Average |
| 6) Musketeers | 3/1 | Strength = 6, QR = Average |

## Infantry Brigade (Silesian): Blandowski

- |               |     |                            |
|---------------|-----|----------------------------|
| 7) Musketeers | 1/2 | Strength = 6, QR = Average |
| 8) Musketeers | 2/2 | Strength = 6, QR = Average |
| 9) Musketeers | 3/2 | Strength = 6, QR = Average |

## Attached Cavalry Brigade:

- |                               |                                       |
|-------------------------------|---------------------------------------|
| 10) Silesian Landwehr Cavalry | Light Cavalry, Strength = 2, QR = Raw |
|-------------------------------|---------------------------------------|

## Division Artillery:

- |                    |  |
|--------------------|--|
| 11) Foot Artillery | Medium Artillery, Strength = 4, QR = Average |
|--------------------|--|

**Units: 1st Cavalry "Brigade" (Division): Schwerin**

## Cavalry Brigade: Eicke

- |                    |  |
|--------------------|--|
| 1) Hussars         | Light Cavalry, Strength = 6, QR = Veteran    |
| 2) Horse Artillery | Medium Artillery, Strength = 4, QR = Average |

## Cavalry Brigade: Beier

- |          |  |
|----------|--|
| 1) Uhlan | Light Cavalry, Lance armed, Strength = 6, QR = Average |
|----------|--|

**Units: 2nd Cavalry "Brigade" (Division): von Watzdorff**

## Cavalry Brigade: Colomb

- |                    |  |
|--------------------|--|
| 1) Hussars         | Light Cavalry, Strength = 5, QR = Veteran    |
| 2) Horse Artillery | Medium Artillery, Strength = 3, QR = Average |

**Units: 3rd Cavalry "Brigade" (Division): Sydow**

## Cavalry Brigade: Haslingen

- |                     |                                       |
|---------------------|---------------------------------------|
| 1) Landwehr Cavalry | Light Cavalry, Strength = 4, QR = Raw |
| 2) Landwehr Cavalry | Light Cavalry, Strength = 4, QR = Raw |
| 3) Landwehr Cavalry | Light Cavalry, Strength = 3, QR = Raw |
| 4) Landwehr Cavalry | Light Cavalry, Strength = 3, QR = Raw |
| 5) Landwehr Cavalry | Light Cavalry, Strength = 4, QR = Raw |

**Units: Corps Reserve Artillery**

- |                    |  |
|--------------------|--|
| 1) Foot Artillery  | Heavy Artillery, Strength = 4, QR = Average  |
| 2) Foot Artillery  | Heavy Artillery, Strength = 4, QR = Average  |
| 3) Foot Artillery  | Heavy Artillery, Strength = 4, QR = Average  |
| 4) Foot Artillery  | Heavy Artillery, Strength = 4, QR = Average  |
| 5) Horse Artillery | Medium Artillery, Strength = 4, QR = Average |

**Note:** The 3rd Cavalry Division (Landwehr) was barely involved at Waterloo

## Waterloo: 18 June 1815

### Armee du Nord commanded by Napoleon

-----  
 | FRENCH GUARD CORPS |  
 | AT WATERLOO | DROUOT  
 -----

-----												
-----												
1ST			2ND			3RD			CAV		CAV	
DIV			DIV			DIV			DIV		DIV	
-----												
-----			-----			-----			-----		-----	-----
INF	INF	DIV	INF	INF	DIV	INF	INF	DIV	CAV	CAV	RES	
BRG	BRG	ART	BRG	BRG	ART	BRG	BRG	ART	BRG	BRG	ART	ART
-----												
LT	LT	MED	LT	LT	MED	LT	LT	MED	LT	MED	HVY	
INF	INF	ART	INF	INF	ART	INF	INF	ART	CAV	CAV	ART	ART
-----												
LT	LT	MED	LT	LT	MED	LT	LT	MED	LT	MED	HVY	
INF	INF	ART	INF	INF	ART	INF	INF	ART	CAV	CAV	ART	ART
-----												
LT	LT		LT	LT		LT	LT		MED	MED	HVY	
INF	INF		INF	INF		INF	INF		HRS	HRS	ART	ART
-----												
LT			LT	LT		LT	LT		MED	MED		
INF			INF	INF		INF	INF		HRS	HRS		
-----												

#### Summary:

23 Infantry Battalions  
 4 Cavalry Regiments  
 13 Artillery Batteries

#### FRENCH IMPERIAL GUARD at Waterloo under Drouot

##### Units: Infantry Division (Grenadiers a Pied): Friant

##### Infantry Brigade: Petit

1) Old Guard Infantry 1/1 Light, Strength = 7, QR = Veteran  
 2) Old Guard Infantry 2/1 Light, Strength = 7, QR = Veteran

##### Infantry Brigade: Christiani

3) Old Guard Infantry 1/2 Light, Strength = 6, QR = Veteran  
 4) Old Guard Infantry 2/2 Light, Strength = 6, QR = Veteran

##### Infantry Brigade: Morvan

5) Middle Guard Infantry 1/3 Light, Strength = 6, QR = Veteran  
 6) Middle Guard Infantry 2/3 Light, Strength = 6, QR = Veteran

##### Infantry Brigade: d'Harlet

7) Middle Guard Infantry 1/4 Light, Strength = 6, QR = Veteran

##### Division Artillery:

8) Guard Foot Artillery Medium Artillery, Strength = 4, QR = Veteran  
 9) Guard Foot Artillery Medium Artillery, Strength = 4, QR = Veteran

**Units: Infantry Division (Chasseurs a Pied): Morand**

## Infantry Brigade: Cambronne

- |                       |     |                                   |
|-----------------------|-----|-----------------------------------|
| 1) Old Guard Infantry | 1/1 | Light, Strength = 7, QR = Veteran |
| 2) Old Guard Infantry | 2/1 | Light, Strength = 7, QR = Veteran |

## Infantry Brigade: Pelet

- |                       |     |                                   |
|-----------------------|-----|-----------------------------------|
| 3) Old Guard Infantry | 1/2 | Light, Strength = 6, QR = Veteran |
| 4) Old Guard Infantry | 2/2 | Light, Strength = 6, QR = Veteran |

## Infantry Brigade: Malet

- |                          |     |                                   |
|--------------------------|-----|-----------------------------------|
| 5) Middle Guard Infantry | 1/3 | Light, Strength = 6, QR = Veteran |
| 6) Middle Guard Infantry | 2/3 | Light, Strength = 6, QR = Veteran |

## Infantry Brigade: Henrion

- |                          |     |                                   |
|--------------------------|-----|-----------------------------------|
| 7) Middle Guard Infantry | 1/4 | Light, Strength = 9, QR = Veteran |
| 8) Middle Guard Infantry | 2/4 | Light, Strength = 6, QR = Veteran |

## Division Artillery:

- |                          |  |  |
|--------------------------|--|--|
| 9) Guard Foot Artillery  |  | Medium Artillery, Strength = 4, QR = Veteran |
| 10) Guard Foot Artillery |  | Medium Artillery, Strength = 4, QR = Veteran |

**Units: Infantry Division (Young Guard): Duhesme**

## Infantry Brigade: Chartrand

- |                         |     |                                   |
|-------------------------|-----|-----------------------------------|
| 1) Young Guard Infantry | 1/1 | Light, Strength = 6, QR = Veteran |
| 2) Young Guard Infantry | 2/1 | Light, Strength = 6, QR = Veteran |
| 3) Young Guard Infantry | 1/2 | Light, Strength = 6, QR = Veteran |
| 4) Young Guard Infantry | 2/2 | Light, Strength = 6, QR = Veteran |

## Infantry Brigade: Guye

- |                         |     |                                   |
|-------------------------|-----|-----------------------------------|
| 5) Young Guard Infantry | 1/3 | Light, Strength = 5, QR = Veteran |
| 6) Young Guard Infantry | 2/3 | Light, Strength = 5, QR = Veteran |
| 7) Young Guard Infantry | 1/4 | Light, Strength = 5, QR = Veteran |
| 8) Young Guard Infantry | 2/4 | Light, Strength = 5, QR = Veteran |

## Division Artillery:

- |                          |  |  |
|--------------------------|--|--|
| 9) Guard Foot Artillery  |  | Medium Artillery, Strength = 4, QR = Veteran |
| 10) Guard Foot Artillery |  | Medium Artillery, Strength = 4, QR = Veteran |

**Units: Guard Light Cavalry Division: Lefebvre-Desnouettes**

## Cavalry Brigade:

- |                          |  |  |
|--------------------------|--|--|
| 1) Chasseurs a Cheval    |  | Light Cavalry, Strength = 12, QR = Veteran             |
| 2) Dutch Red Lancers     |  | Light Cavalry, Lance armed, Strength = 9, QR = Veteran |
| 3) Guard Horse Artillery |  | Medium Artillery, Strength = 3, QR = Veteran           |
| 4) Guard Horse Artillery |  | Medium Artillery, Strength = 3, QR = Veteran           |

**Units: Guard Heavy Cavalry Division: Guyot**

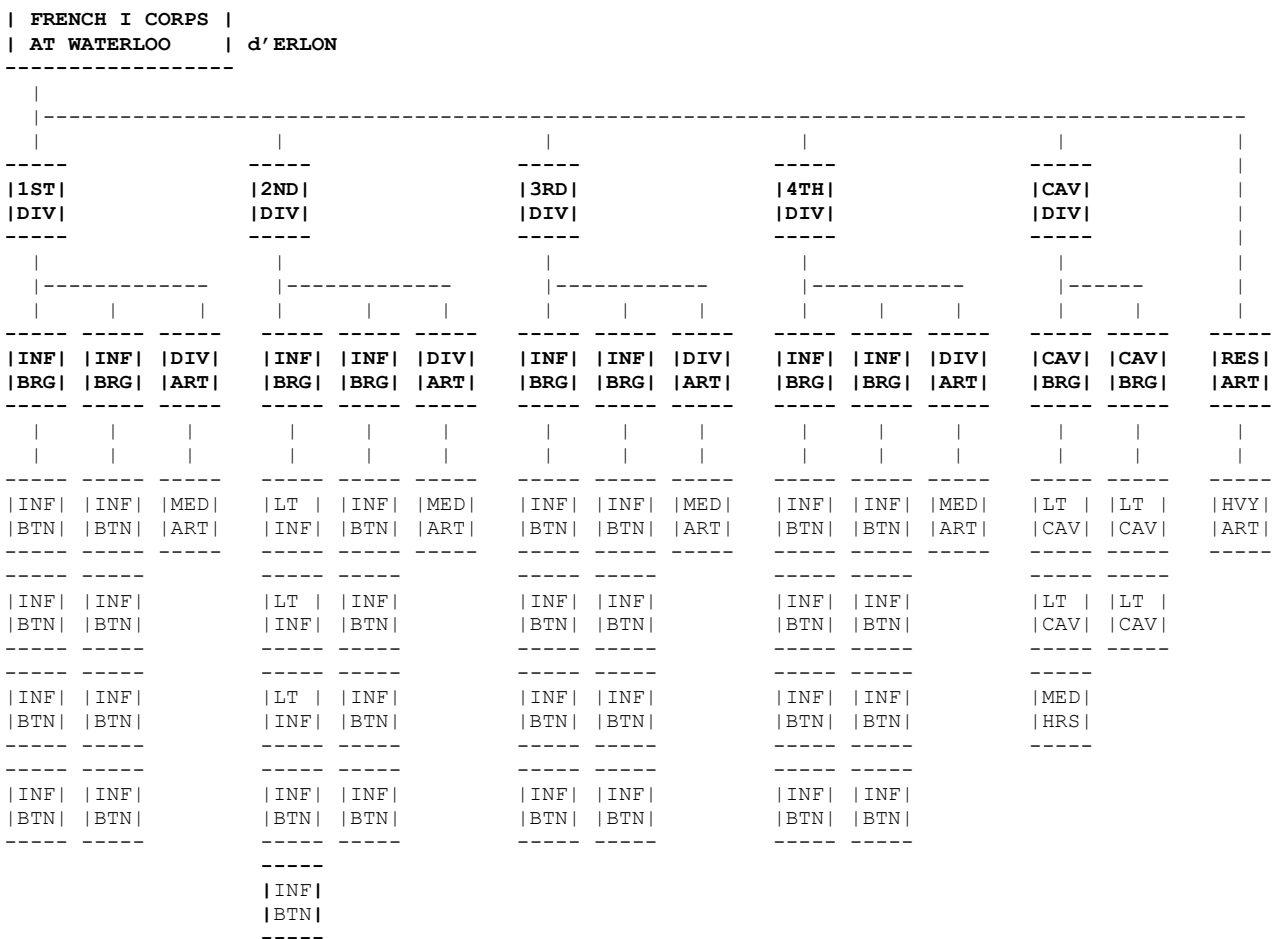
## Cavalry Brigade:

- |                          |  |  |
|--------------------------|--|--|
| 1) Grenadiers a Cheval   |  | Heavy Cavalry, Strength = 8, QR = Veteran    |
| 2) Empress Dragoons      |  | Heavy Cavalry, Strength = 8, QR = Veteran    |
| 3) Guard Horse Artillery |  | Medium Artillery, Strength = 3, QR = Veteran |
| 4) Guard Horse Artillery |  | Medium Artillery, Strength = 3, QR = Veteran |

**Units: Reserve Artillery**

- |                         |  |   |
|-------------------------|--|---|
| 1) Guard Foot Artillery |  | Heavy Artillery, Strength = 4, QR = Veteran |
| 2) Guard Foot Artillery |  | Heavy Artillery, Strength = 4, QR = Veteran |
| 3) Guard Foot Artillery |  | Heavy Artillery, Strength = 4, QR = Veteran |





**Summary:**  
 33 Infantry Battalions  
 4 Cavalry Regiments  
 6 Artillery Batteries

**FRENCH I CORPS at Waterloo under d'Erlon**

**Units: 1st Infantry Division: du Passage**

- Infantry Brigade: Charlet  
 1) Line Infantry            1/54    Strength = 5, QR = Average  
 2) Line Infantry            2/54    Strength = 5, QR = Average  
 3) Line Infantry            1/55    Strength = 6, QR = Average  
 4) Line Infantry            2/55    Strength = 6, QR = Average
- Infantry Brigade: Bourgeois  
 5) Line Infantry            1/28    Strength = 5, QR = Average  
 6) Line Infantry            2/28    Strength = 5, QR = Average  
 7) Line Infantry            1/105   Strength = 5, QR = Average  
 8) Line Infantry            2/105   Strength = 5, QR = Average
- Division Artillery:  
 9) Foot Artillery                            Medium Artillery, Strength = 4, QR = Average

**Units: 2nd Infantry Division: Donzelot**

- Infantry Brigade: Schmitz  
 1) Light Infantry            1/13    Light, Strength = 6, QR = Average  
 2) Light Infantry            2/13    Light, Strength = 6, QR = Average  
 3) Light Infantry            3/13    Light, Strength = 6, QR = Average  
 4) Line Infantry            1/17    Strength = 6, QR = Average  
 5) Line Infantry            2/17    Strength = 6, QR = Average

## Infantry Brigade: Aulard

6) Line Infantry	1/19	Strength = 6, QR = Average
7) Line Infantry	2/19	Strength = 6, QR = Average
8) Line Infantry	1/51	Strength = 6, QR = Average
9) Line Infantry	2/51	Strength = 6, QR = Average

## Division Artillery:

10) Foot Artillery Medium Artillery, Strength = 4, QR = Average

**Units: 3rd Infantry Division: Marcognet**

## Infantry Brigade: Nogues

1) Line Infantry	1/21	Strength = 6, QR = Average
2) Line Infantry	2/21	Strength = 6, QR = Average
3) Line Infantry	1/46	Strength = 5, QR = Average
4) Line Infantry	2/46	Strength = 5, QR = Average

## Infantry Brigade: Grenier

5) Line Infantry	1/25	Strength = 5, QR = Average
6) Line Infantry	2/25	Strength = 5, QR = Average
7) Line Infantry	1/45	Strength = 5, QR = Average
8) Line Infantry	2/45	Strength = 5, QR = Average

## Division Artillery:

9) Foot Artillery Medium Artillery, Strength = 4, QR = Average

**Units: 4th Infantry Division: Durutte**

## Infantry Brigade: Pegot

1) Line Infantry	1/8	Strength = 5, QR = Average
2) Line Infantry	2/8	Strength = 5, QR = Average
3) Line Infantry	1/29	Strength = 6, QR = Average
4) Line Infantry	2/29	Strength = 6, QR = Average

## Infantry Brigade: Brue

5) Line Infantry	1/85	Strength = 4, QR = Average
6) Line Infantry	2/85	Strength = 4, QR = Average
7) Line Infantry	1/95	Strength = 6, QR = Average
8) Line Infantry	2/95	Strength = 6, QR = Average

## Division Artillery:

9) Foot Artillery Medium Artillery, Strength = 4, QR = Average

**Units: Cavalry Division**

## Cavalry Brigade: Bruno

1) Hussars	Light Cavalry, Strength = 5, QR = Average
2) Chasseurs a Cheval	Light Cavalry, Strength = 4, QR = Average
3) Horse Artillery	Medium Artillery, Strength = 3, QR = Veteran

## Cavalry Brigade:

4) Lancers	Light Cavalry, Lance armed, Strength = 4, QR = Average
5) Lancers	Light Cavalry, Lance armed, Strength = 3, QR = Average

**Units: Corps Reserve Artillery**

1) Foot Artillery	Heavy Artillery, Strength = 4, QR = Average
-------------------	---

```

-----
| FRENCH II CORPS |
| AT WATERLOO    | REILLE
-----

```

```

-----
|
-----
|
-----
|1ST|           |2ND|           |3RD|           |CAV|
|DIV|           |DIV|           |DIV|           |DIV|
-----
|           |           |           |           |
-----
|INF| |INF| |DIV| |INF| |INF| |DIV| |INF| |INF| |DIV| |CAV| |CAV| |RES|
|BRG| |BRG| |ART| |BRG| |BRG| |ART| |BRG| |BRG| |ART| |BRG| |BRG| |ART|
-----
|           |           |           |           |           |           |
-----
|INF| |INF| |MED| |LT | |INF| |MED| |INF| |INF| |MED| |LT | |LT | |HVY|
|BTN| |BTN| |ART| |INF| |BTN| |ART| |BTN| |BTN| |ART| |CAV| |CAV| |ART|
-----
|INF| |INF|           |LT | |INF|           |INF| |INF|           |LT | |LT |
|BTN| |BTN|           |INF| |BTN|           |BTN| |BTN|           |CAV| |CAV|
-----
|INF| |INF|           |LT | |INF|           |INF| |INF|           |MED|
|BTN| |BTN|           |INF| |BTN|           |BTN| |BTN|           |HRS|
-----
|INF| |INF|           |LT | |INF|           |INF| |INF|
|BTN| |BTN|           |INF| |BTN|           |BTN| |BTN|
-----
|INF| |INF|           |LT | |INF|           |INF| |INF|
|BTN| |BTN|           |INF| |BTN|           |BTN| |BTN|
-----
|INF| |INF|           |LT | |INF|           |INF| |INF|
|BTN| |BTN|           |INF| |BTN|           |BTN| |BTN|
-----
|INF| |INF|           |LT | |INF|           |INF| |INF|
|BTN| |BTN|           |INF| |BTN|           |BTN| |BTN|
-----
|LT | |INF|
|INF| |BTN|
-----
|LT | |INF|
|INF| |BTN|
-----
|LT |
|INF|
-----

```

**Summary:**

33 Infantry Battalions  
 4 Cavalry Regiments  
 5 Artillery Batteries

**FRENCH II CORPS at Waterloo under Reille****Units: 5th Infantry Division: Bachelu**

Infantry Brigade: Husson

1) Line Infantry	1/3	Strength = 6, QR = Average
2) Line Infantry	2/3	Strength = 6, QR = Average
3) Line Infantry	1/61	Strength = 4, QR = Average
4) Line Infantry	2/61	Strength = 4, QR = Average

Infantry Brigade: Campi

5) Line Infantry	1/72	Strength = 5, QR = Average
6) Line Infantry	2/72	Strength = 5, QR = Average
7) Line Infantry	1/108	Strength = 4, QR = Average
8) Line Infantry	2/108	Strength = 4, QR = Average
9) Line Infantry	3/108	Strength = 4, QR = Average

Division Artillery:

10) Foot Artillery                      Medium Artillery, Strength = 4, QR = Average

**Units: 6th Infantry Division: Jerome Bonaparte**

## Infantry Brigade: Bauduin

1) Light Infantry	1/1	Light, Strength = 6, QR = Average
2) Light Infantry	2/1	Light, Strength = 6, QR = Average
3) Light Infantry	3/1	Light, Strength = 6, QR = Average
4) Light Infantry	1/2	Light, Strength = 6, QR = Average
5) Light Infantry	2/2	Light, Strength = 6, QR = Average
6) Light Infantry	3/2	Light, Strength = 6, QR = Average
7) Light Infantry	4/2	Light, Strength = 6, QR = Average

## Infantry Brigade: Soye

8) Line Infantry	1/1	Strength = 6, QR = Average
9) Line Infantry	2/1	Strength = 6, QR = Average
10) Line Infantry	3/1	Strength = 6, QR = Average
11) Line Infantry	1/2	Strength = 6, QR = Average
12) Line Infantry	2/2	Strength = 6, QR = Average
13) Line Infantry	3/2	Strength = 6, QR = Average

## Division Artillery:

14) Foot Artillery Medium Artillery, Strength = 4, QR = Average

**Units: 9th Infantry Division: Foy**

## Infantry Brigade: Tissot

1) Line Infantry	1/92	Strength = 5, QR = Average
2) Line Infantry	2/92	Strength = 5, QR = Average
3) Line Infantry	1/93	Strength = 5, QR = Average
4) Line Infantry	2/93	Strength = 5, QR = Average
5) Line Infantry	3/93	Strength = 5, QR = Average

## Infantry Brigade: Jamin

6) Line Infantry	1/100	Strength = 4, QR = Average
7) Line Infantry	2/100	Strength = 4, QR = Average
8) Line Infantry	3/100	Strength = 3, QR = Average
9) Line Infantry	1/4	Strength = 5, QR = Average
10) Line Infantry	2/4	Strength = 5, QR = Average
11) Line Infantry	3/4	Strength = 5, QR = Average

## Division Artillery:

12) Foot Artillery Medium Artillery, Strength = 4, QR = Average

**Units: 2nd Cavalry Division: Pire**

## Cavalry Brigade: Huber

1) Chasseurs a Cheval	Light Cavalry, Strength = 5, QR = Average
2) Chasseurs a Cheval	Light Cavalry, Strength = 6, QR = Average
3) Horse Artillery	Medium Artillery, Strength = 3, QR = Veteran

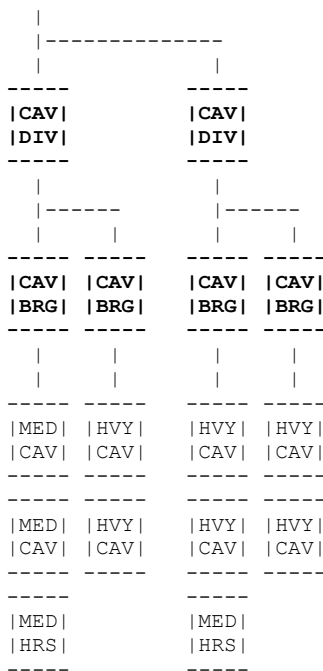
## Cavalry Brigade: Wathiez

4) Lancers	Light Cavalry, Lance armed, Strength = 4, QR = Average
5) Lancers	Light Cavalry, Lance armed, Strength = 4, QR = Average

**Units: Corps Reserve Artillery**

1) Foot Artillery	Heavy Artillery, Strength = 4, QR = Average
-------------------	---

-----  
 | FRENCH III RESERVE CORPS |  
 | AT WATERLOO | KELLERMAN  
 -----



**Summary:**

- 8 Cavalry Regiments
- 2 Artillery Batteries

**FRENCH III RESERVE CORPS at Waterloo under Kellerman**

**Units: 11th Cavalry Division: Heritier**

Cavalry Brigade: Picquet

- |                    |  |
|--------------------|--|
| 1) Dragoons        | Medium Cavalry, Strength = 6, QR = Average   |
| 2) Dragoons        | Medium Cavalry, Strength = 5, QR = Average   |
| 3) Horse Artillery | Medium Artillery, Strength = 3, QR = Average |

Cavalry Brigade: Vinot

- |                |   |
|----------------|---|
| 4) Cuirassiers | Heavy Cavalry, Strength = 3, QR = Average |
| 5) Cuirassiers | Heavy Cavalry, Strength = 3, QR = Average |

**Units: 12th Cavalry Division: d’Hurbal**

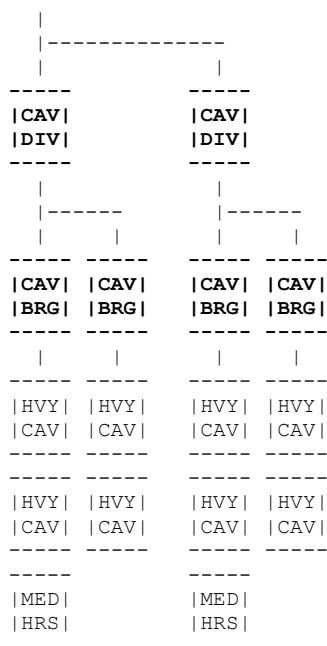
Cavalry Brigade: Blancard

- |                         |  |
|-------------------------|--|
| 1) Carabiniers a Cheval | Heavy Cavalry, Strength = 5, QR = Average    |
| 2) Carabiniers a Cheval | Heavy Cavalry, Strength = 4, QR = Average    |
| 3) Horse Artillery      | Medium Artillery, Strength = 3, QR = Average |

Cavalry Brigade: Donop

- |                |   |
|----------------|---|
| 4) Cuirassiers | Heavy Cavalry, Strength = 3, QR = Average |
| 5) Cuirassiers | Heavy Cavalry, Strength = 5, QR = Average |

-----  
 | FRENCH IV RESERVE CORPS |  
 | AT WATERLOO | MILHAUD  
 -----



**Summary:**

- 8 Cavalry Regiments
- 2 Artillery Batteries

**FRENCH IV RESERVE CORPS at Waterloo under Milhaud**

**Units: 13th Cavalry Division: Watier**

Cavalry Brigade: Dubois

- 1) Cuirassiers                      Heavy Cavalry, Strength = 5, QR = Average
- 2) Cuirassiers                      Heavy Cavalry, Strength = 4, QR = Average
- 3) Horse Artillery                  Medium Artillery, Strength = 3, QR = Average

Cavalry Brigade: Travers

- 4) Cuirassiers                      Heavy Cavalry, Strength = 2, QR = Average
- 5) Cuirassiers                      Heavy Cavalry, Strength = 3, QR = Average

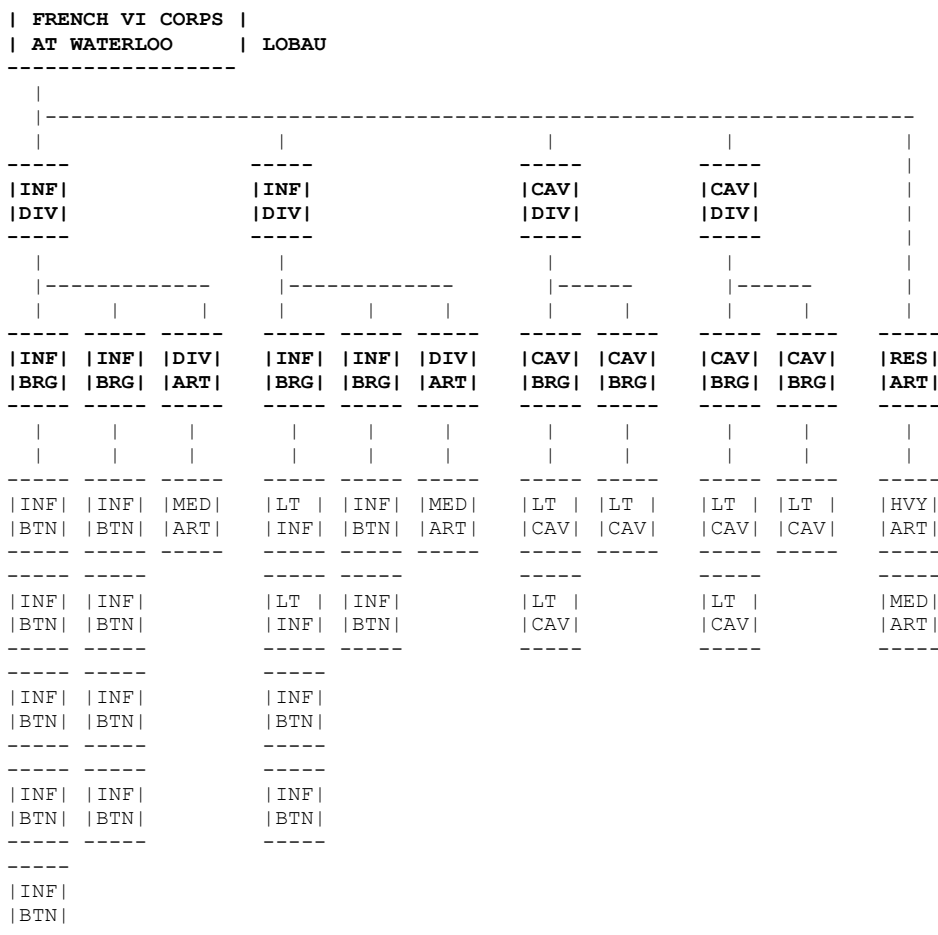
**Units: 14th Cavalry Division: Derlot**

Cavalry Brigade: du Creux

- 1) Cuirassiers                      Heavy Cavalry, Strength = 5, QR = Average
- 2) Cuirassiers                      Heavy Cavalry, Strength = 4, QR = Average
- 3) Horse Artillery                  Medium Artillery, Strength = 3, QR = Average

Cavalry Brigade: Vial

- 4) Cuirassiers                      Heavy Cavalry, Strength = 3, QR = Average
- 5) Cuirassiers                      Heavy Cavalry, Strength = 4, QR = Average



**Summary:**  
 15 Infantry Battalions  
 6 Cavalry Regiments  
 4 Artillery Batteries

**FRENCH VI CORPS at Waterloo under Lobau**

**Units: 19th Infantry Division: Simmer**

Infantry Brigade: Bellair

1) Line Infantry	1/5	Strength = 5, QR = Average
2) Line Infantry	2/5	Strength = 5, QR = Average
3) Line Infantry	1/1	Strength = 4, QR = Average
4) Line Infantry	2/11	Strength = 4, QR = Average
5) Line Infantry	3/11	Strength = 4, QR = Average

Infantry Brigade: Thevenet

6) Line Infantry	1/27	Strength = 4, QR = Average
7) Line Infantry	2/27	Strength = 4, QR = Average
8) Line Infantry	1/84	Strength = 5, QR = Average
9) Line Infantry	2/84	Strength = 4, QR = Average

Division Artillery:  
 10) Foot Artillery Medium Artillery, Strength = 4, QR = Average

**Units: 20th Infantry Division: Jeanin**

Infantry Brigade: Bony

1) Light Infantry	1/5	Light, Strength = 5, QR = Average
2) Light Infantry	2/5	Light, Strength = 4, QR = Average
3) Line Infantry	1/10	Light, Strength = 7, QR = Average
4) Line Infantry	2/10	Light, Strength = 7, QR = Average

Infantry Brigade: Tromelin  
 5) Line Infantry 1/107 Light, Strength = 4, QR = Average  
 6) Line Infantry 2/107 Light, Strength = 4, QR = Average

Division Artillery:  
 14) Foot Artillery Medium Artillery, Strength = 4, QR = Average

**Units: 3rd Cavalry Division: Domanet**

Cavalry Brigade: Dommangeat  
 1) Chasseurs a Cheval Light Cavalry, Strength = 4, QR = Average  
 2) Chasseurs a Cheval Light Cavalry, Strength = 4, QR = Average  
 3) Horse Artillery Medium Artillery, Strength = 3, QR = Average

Cavalry Brigade: Vinot  
 4) Chasseurs a Cheval Light Cavalry, Strength = 4, QR = Average

**Units: 5th Cavalry Division: Subervie**

Cavalry Brigade: Colbert  
 1) Lancers Light Cavalry, Lance armed, Strength = 4, QR = Average  
 2) Lancers Light Cavalry, Lance armed, Strength = 4, QR = Average  
 3) Horse Artillery Medium Artillery, Strength = 3, QR = Average

Cavalry Brigade: Merlin  
 4) Chasseurs a Cheval Light Cavalry, Strength = 5, QR = Average

**Units: Corps Reserve Artillery**

1) Foot Artillery Heavy Artillery, Strength = 4, QR = Average  
 1) Foot Artillery Medium Artillery, Strength = 3, QR = Average

