

Austerlitz: 2 December 1805 Austro-Russian Forces

```

-----
| RUSSIAN ADVANCE GUARD |
| AT AUSTERLITZ         | BAGRATION
-----

|
-----
|LT |
|DIV|
-----

|-----|
| | | | | | |
-----
|INF| |INF| |INF| |CAV| |CAV| |DIV| |ATT|
|BRG| |BRG| |BRG| |BRG| |BRG| |ART| |BRG|
-----
| | | | | | |
-----
|LT | |INF| |INF| |LT | |HVY| |MED| |LT |
|INF| |BTN| |BTN| |CAV| |CAV| |ART| |CAV|
-----
|LT | |INF| |INF| |LT | |MED| |MED| |LT |
|INF| |BTN| |BTN| |CAV| |CAV| |ART| |CAV|
-----
|LT | |INF| |INF| |MED| |MED| |LT |
|INF| |BTN| |BTN| |HRS| |CAV| |CAV|
-----
-----
|LT | |INF|
|INF| |BTN|
-----
-----
|LT | |INF|
|INF| |BTN|
-----
-----
|LT | |INF|
|INF| |BTN|
-----

```

Summary:
 15 Battalions
 8 Cavalry Regiments
 3 Artillery Batteries

RUSSIAN ADVANCED GUARD at Austerlitz under Bagration

Units: Light Division: Bagration

- Infantry Brigade:
- 1) Jager Light, Strength = 5, QR = Average
 - 2) Jager Light, Strength = 5, QR = Average
 - 3) Jager Light, Strength = 5, QR = Average
 - 4) Jager Light, Strength = 5, QR = Average
 - 5) Jager Light, Strength = 5, QR = Average
 - 6) Jager Light, Strength = 5, QR = Average

- Infantry Brigade: Kamensky
- 7) Musketeers Strength = 5, QR = Average
 - 8) Musketeers Strength = 5, QR = Average
 - 9) Musketeers Strength = 5, QR = Average

Infantry Brigade: Enghardt

- | | |
|----------------|----------------------------|
| 10) Musketeers | Strength = 5, QR = Average |
| 11) Musketeers | Strength = 5, QR = Average |
| 12) Musketeers | Strength = 5, QR = Average |
| 13) Musketeers | Strength = 5, QR = Average |
| 14) Musketeers | Strength = 5, QR = Average |
| 15) Musketeers | Strength = 5, QR = Average |

Cavalry Brigade: Wittgenstein

- | | |
|---------------------|----------------------------------------------|
| 16) Hussars | Light Cavalry, Strength = 8, QR = Veteran |
| 17) Hussars | Light Cavalry, Strength = 8, QR = Veteran |
| 18) Horse Artillery | Medium Artillery, Strength = 3, QR = Average |

Cavalry Brigade: Voropaitzki

- | | |
|-----------------|--------------------------------------------|
| 19) Cuirassiers | Heavy Cavalry, Strength = 6, QR = Veteran |
| 20) Dragoons | Medium Cavalry, Strength = 5, QR = Average |
| 21) Dragoons | Medium Cavalry, Strength = 5, QR = Average |

Division Artillery:

- | | |
|--------------------|----------------------------------------------|
| 22) Foot Artillery | Medium Artillery, Strength = 4, QR = Average |
| 23) Foot Artillery | Medium Artillery, Strength = 4, QR = Average |

Units: Attached Light Cavalry Brigade

Cavalry Brigade: Chaplitz

- | | |
|--------------|---------------------------------------|
| 24) Cossacks | Light Cavalry, Strength = 4, QR = Raw |
| 25) Cossacks | Light Cavalry, Strength = 4, QR = Raw |
| 26) Cossacks | Light Cavalry, Strength = 4, QR = Raw |

```

-----
| RUSSIAN IMPERIAL GUARD |
| AT AUSTERLITZ | CONSTANTINE
-----

```

```

|
-----
|LT |
|DIV|
-----

```

```

|
-----
| | | |
-----
|INF| |INF| |CAV| |CAV|
|BRG| |BRG| |BRG| |BRG|
-----

```

```

| | | |
-----
|INF| |INF| |LT | |HVY|
|BTN| |BTN| |CAV| |CAV|
-----

```

```

|INF| |INF| |LT | |HVY|
|BTN| |BTN| |CAV| |CAV|
-----

```

```

|INF| |INF| |MED|
|BTN| |BTN| |HRS|
-----

```

```

|INF| |HVY|
|BTN| |ART|
-----

```

```

|INF|
|BTN|
-----

```

```

|INF|
|BTN|
-----

```

```

|LT |
|INF|
-----

```

```

|MED|
|ART|
-----

```

```

|HVY|
|ART|
-----

```

Summary:

- 10 Battalions
- 4 Cavalry Regiments
- 4 Artillery Batteries

RUSSIAN IMPERIAL GUARD at Austerlitz under Grand Duke Constantine

Units: Infantry Division: Maliutin

Infantry Brigade: Deperadovich

- | | |
|-------------------|----------------------------------------------|
| 1) Guard | Strength = 5, QR = Veteran |
| 2) Guard | Strength = 5, QR = Veteran |
| 3) Guard | Strength = 5, QR = Veteran |
| 4) Guard | Strength = 5, QR = Veteran |
| 5) Guard | Strength = 5, QR = Veteran |
| 6) Guard | Strength = 5, QR = Veteran |
| 7) Guard Jager | Light, Strength = 5, QR = Veteran |
| 8) Foot Artillery | Medium Artillery, Strength = 4, QR = Veteran |
| 9) Foot Artillery | Heavy Artillery, Strength = 4, QR = Veteran |

Infantry Brigade: Kamensky

- 10) Guard Grenadiers
- 11) Guard Grenadiers
- 12) Guard Grenadiers
- 13) Foot Artillery

Strength = 5, QR = Veteran
Strength = 5, QR = Veteran
Strength = 5, QR = Veteran
Heavy Artillery, Strength = 4, QR = Veteran

Units: Cavalry Division: Kologrivov

Cavalry Brigade: Jankovich

- 1) Guard Hussars
- 2) Guard Cossacks
- 3) Guard Horse Artillery

Light Cavalry, Strength = 8, QR = Veteran
Light Cavalry, Lance armed, Strength = 3, QR = Average
Medium Artillery, Strength = 3, QR = Veteran

Cavalry Brigade: Deprerdovich

- 4) Chevalier Guard
- 5) Horse Guard

Heavy Cavalry, Strength = 8, QR = Veteran
Heavy Cavalry, Strength = 8, QR = Veteran

```

-----
| AUSTRIAN ADVANCED GUARD |
| AT AUSTERLITZ           | KEINMAYER
-----

```

```

-----
| LT |
| DIV|
-----

```

```

-----
| INF| |CAV| |CAV| |CAV|
| BRG| |BRG| |BRG| |BRG|
-----

```

```

-----
| LT | |LT | |LT | |LT |
| INF| |CAV| |CAV| |CAV|
-----

```

```

-----
| LT | |LT | |LT |
| INF| |CAV| |CAV|
-----

```

```

-----
| LT | |MED| |MED|
| INF| |HRS| |HRS|
-----

```

```

-----
| LT |
| INF|
-----

```

```

-----
| LT |
| INF|
-----

```

Summary:

- 5 Infantry Battalions
- 5 Cavalry Regiments
- 2 Artillery Batteries

AUSTRIAN ADVANCED GUARD at Austerlitz under Keinmayer

Units: Light Division

Infantry Brigade: Carneville

- | | |
|-----------|-----------------------------------|
| 1) Grenze | Light, Strength = 5, QR = Average |
| 2) Grenze | Light, Strength = 5, QR = Average |
| 3) Grenze | Light, Strength = 5, QR = Average |
| 4) Grenze | Light, Strength = 5, QR = Average |
| 5) Grenze | Light, Strength = 5, QR = Average |

Cavalry Brigade: Stutterheim

- | | |
|--------------------|------------------------------------------------|
| 6) Chevauleger | Light, Strength = 7, QR = Average |
| 7) Uhlan | Light, Lance armed, Strength = 2, QR = Average |
| 8) Horse Artillery | Medium Artillery, Strength = 3, QR = Average |

Cavalry Brigade: Nostitz

- | | |
|---------------------|------------------------------------------------|
| 9) Hussars | Light, Strength = 7, QR = Veteran |
| 10) Uhlan | Light, Lance armed, Strength = 2, QR = Average |
| 11) Horse Artillery | Medium Artillery, Strength = 3, QR = Average |

Cavalry Brigade: Liechtenstein

- | | |
|-------------|-----------------------------------|
| 12) Hussars | Light, Strength = 7, QR = Veteran |
|-------------|-----------------------------------|

Infantry Brigade: Urasov

- 6) Musketeers Strength = 4, QR = Average
- 7) Musketeers Strength = 4, QR = Average
- 8) Musketeers Strength = 4, QR = Average
- 9) Musketeers Strength = 4, QR = Average
- 10) Musketeers Strength = 4, QR = Average
- 11) Musketeers Strength = 4, QR = Average
- 12) Musketeers Strength = 4, QR = Average
- 13) Musketeers Strength = 4, QR = Average
- 14) Foot Artillery Medium Artillery, Strength = 4, QR = Average
- 15) Foot Artillery Heavy Artillery, Strength = 4, QR = Average

Infantry Brigade: Lieders

- 16) Musketeers Strength = 4, QR = Average
- 17) Musketeers Strength = 4, QR = Average
- 18) Musketeers Strength = 4, QR = Average
- 19) Musketeers Strength = 4, QR = Average
- 20) Musketeers Strength = 4, QR = Average
- 21) Musketeers Strength = 4, QR = Average
- 22) Musketeers Strength = 4, QR = Average
- 23) Musketeers Strength = 4, QR = Average
- 24) Musketeers Strength = 4, QR = Average
- 25) Foot Artillery Medium Artillery, Strength = 4, QR = Average
- 26) Foot Artillery Heavy Artillery, Strength = 4, QR = Average

Attached Cavalry Brigade:

- 27) Cossacks Light Cavalry, Strength = 4, QR = Raw

```

-----
| RUSSIAN II COLUMN |
| AT AUSTERLITZ | LANGERON
-----

```

```

|
-----
|LT |
|DIV|
-----

```

```

|
|-----
| | |
|INF| |INF| |ATT|
|BRG| |BRG| |BRG|
-----

```

```

| | | | | |
|LT | |INF| |LT |
|INF| |BTN| |CAV|
-----

```

```

|LT | |INF| |LT |
|INF| |BTN| |CAV|
-----

```

```

|INF| |INF| |HRS|
|BTN| |BTN| |ART|
-----

```

```

|INF| |INF|
|BTN| |BTN|
-----

```

```

|INF| |INF|
|BTN| |BTN|
-----

```

```

|INF| |INF|
|BTN| |BTN|
-----

```

```

|INF| |MED|
|BTN| |ART|
-----

```

```

|INF|
|BTN|
-----

```

```

|INF|
|BTN|
-----

```

```

|INF|
|BTN|
-----

```

```

|INF|
|BTN|
-----

```

```

|MED|
|ART|
-----

```

Summary:

- 20 Battalions
- 2 Cavalry Regiments
- 3 Artillery Batteries

RUSSIAN II COLUMN at Austerlitz under Langeron**Units: Light Division**

Infantry Brigade: Olsuvev

- | | |
|--------------------|----------------------------------------------|
| 1) Jager | Light, Strength = 4, QR = Average |
| 2) Jager | Light, Strength = 4, QR = Average |
| 3) Musketeers | Strength = 4, QR = Average |
| 4) Musketeers | Strength = 4, QR = Average |
| 5) Musketeers | Strength = 4, QR = Average |
| 6) Musketeers | Strength = 4, QR = Average |
| 7) Musketeers | Strength = 4, QR = Average |
| 8) Musketeers | Strength = 4, QR = Average |
| 9) Musketeers | Strength = 4, QR = Average |
| 10) Musketeers | Strength = 4, QR = Average |
| 11) Musketeers | Strength = 4, QR = Average |
| 12) Foot Artillery | Medium Artillery, Strength = 4, QR = Average |

Infantry Brigade: Kamenshy

- | | |
|--------------------|----------------------------------------------|
| 13) Grenadiers | Strength = 4, QR = Veteran |
| 14) Grenadiers | Strength = 4, QR = Veteran |
| 15) Grenadiers | Strength = 4, QR = Veteran |
| 16) Musketeers | Strength = 4, QR = Average |
| 17) Musketeers | Strength = 4, QR = Average |
| 18) Musketeers | Strength = 4, QR = Average |
| 19) Foot Artillery | Medium Artillery, Strength = 4, QR = Average |

Attached Cavalry Brigade:

- | | |
|---------------------|--------------------------------------------|
| 20) Dragoons | Medium Cavalry, Strength = 3, QR = Average |
| 21) Cossacks | Light Cavalry, Strength = 2, QR = Raw |
| 22) Horse Artillery | Medium, Strength = 3, QR = Average |

```

-----
| RUSSIAN III COLUMN |
| AT AUSTERLITZ     | PREBYSHEVSKY
-----

```

```

-----
|
-----
| INF |
| DIV |
-----
|
-----
|-----|
|-----|
|-----|
| INF | | INF | | INF |
| BRG | | BRG | | BRG |
|-----| |-----| |-----|
|
|
|
|-----| |-----| |-----|
| LT | | INF | | INF |
| INF | | BTN | | BTN |
|-----| |-----| |-----|
|
|-----| |-----| |-----|
| LT | | INF | | INF |
| INF | | BTN | | BTN |
|-----| |-----| |-----|
|
|-----| |-----| |-----|
| INF | | INF | | INF |
| BTN | | BTN | | BTN |
|-----| |-----| |-----|
|
|-----| |-----| |-----|
| INF | | INF | | INF |
| BTN | | BTN | | BTN |
|-----| |-----| |-----|
|
|-----| |-----| |-----|
| MED | | INF | | INF |
| ART | | BTN | | BTN |
|-----| |-----| |-----|
|
|-----| |-----|
| MED | | HVY |
| ART | | ART |
|-----| |-----|

```

Summary:

18 Battalions
 0 Cavalry Regiments
 3 Artillery Batteries

RUSSIAN III COLUMN at Austerlitz under Prebyshevsky**Units: Infantry Division**

Infantry Brigade: Muller

1) Jager	Light, Strength = 4, QR = Average
2) Jager	Light, Strength = 4, QR = Average
3) Musketeers	Strength = 4, QR = Average
4) Musketeers	Strength = 4, QR = Average
5) Musketeers	Strength = 4, QR = Average
6) Foot Artillery	Medium Artillery, Strength = 3, QR = Average

Infantry Brigade: Stryk

7) Musketeers	Strength = 4, QR = Average
8) Musketeers	Strength = 4, QR = Average
9) Musketeers	Strength = 4, QR = Average
10) Musketeers	Strength = 4, QR = Average
11) Musketeers	Strength = 4, QR = Average
12) Musketeers	Strength = 4, QR = Average
13) Foot Artillery	Medium Artillery, Strength = 4, QR = Average

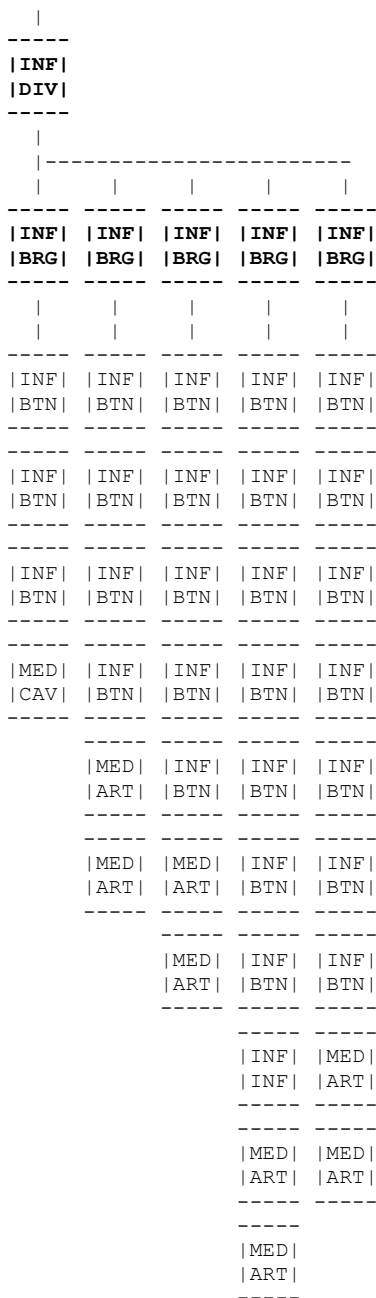
Infantry Brigade: Loshakov

- | | |
|--------------------|---------------------------------------------|
| 14) Jager | Light, Strength = 4, QR = Average |
| 15) Musketeers | Strength = 4, QR = Average |
| 16) Musketeers | Strength = 4, QR = Average |
| 17) Musketeers | Strength = 4, QR = Average |
| 18) Musketeers | Strength = 4, QR = Average |
| 19) Musketeers | Strength = 4, QR = Average |
| 20) Musketeers | Strength = 4, QR = Average |
| 21) Foot Artillery | Heavy Artillery, Strength = 4, QR = Average |

```

-----
| AUSTRO-RUSSIAN IV COLUMN |
| AT AUSTERLITZ           | MILORADOVICH and KOLOWRAT
-----

```



Summary:
 27 Infantry Battalions
 1 Cavalry Regiment
 8 Artillery Batteries

AUSTRO-RUSSIAN IV COLUMN at Austerlitz under Miloradovich and Kolowrat

Units: Infantry Division

- Russian Infantry Brigade: Montakin
- 1) Musketeers Strength = 4, QR = Average
 - 2) Musketeers Strength = 4, QR = Average
 - 3) Musketeers Strength = 4, QR = Average
 - 4) Attached Dragoons (Austrian) Medium Cavalry, Strength = 2, QR = Average

Russian Infantry Brigade: Berg

- 5) Grenadiers Strength = 5, QR = Veteran
- 6) Grenadiers Strength = 5, QR = Veteran
- 7) Grenadiers Strength = 5, QR = Veteran
- 8) Musketeers Strength = 4, QR = Average
- 9) Foot Artillery Heavy Artillery, Strength = 4, QR = Average

Russian Infantry Brigade: Repninsky

- 10) Musketeers Strength = 4, QR = Average
- 11) Musketeers Strength = 4, QR = Average
- 12) Musketeers Strength = 4, QR = Average
- 13) Musketeers Strength = 4, QR = Average
- 14) Musketeers Strength = 3, QR = Average
- 15) Foot Artillery Medium Artillery, Strength = 4, QR = Average
- 16) Foot Artillery Medium Artillery, Strength = 4, QR = Average

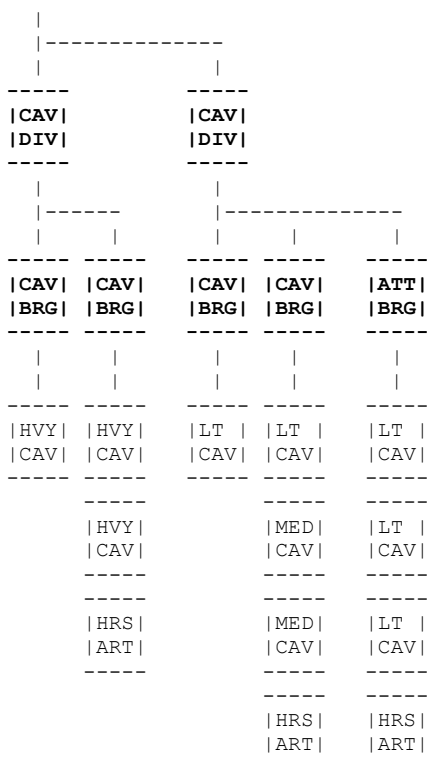
Austrian Infantry Brigade: Rottermund

- 17) Line Infantry Strength = 4, QR = Average
- 18) Line Infantry Strength = 4, QR = Average
- 19) Line Infantry Strength = 6, QR = Average
- 20) Line Infantry Strength = 6, QR = Average
- 21) Line Infantry Strength = 6, QR = Average
- 22) Line Infantry Strength = 6, QR = Average
- 23) Line Infantry Strength = 6, QR = Average
- 24) Line Infantry Strength = 5, QR = Average
- 25) Foot Artillery Medium Artillery, Strength = 4, QR = Average
- 26) Foot Artillery Medium Artillery, Strength = 4, QR = Average
- 27) Foot Artillery Medium Artillery, Strength = 4, QR = Average

Austrian Infantry Brigade: Jurczik

- 28) Line Infantry Strength = 4, QR = Average
- 29) Line Infantry Strength = 4, QR = Average
- 30) Line Infantry Strength = 4, QR = Average
- 31) Line Infantry Strength = 4, QR = Average
- 32) Line Infantry Strength = 6, QR = Average
- 33) Line Infantry Strength = 6, QR = Average
- 34) Line Infantry Strength = 6, QR = Average
- 35) Foot Artillery Medium Artillery, Strength = 4, QR = Average
- 36) Foot Artillery Medium Artillery, Strength = 4, QR = Average

 | AUSTRO-RUSSIAN V COLUMN |
 | AUSTERLITZ | LIECHTENSTEIN



Summary:

- 0 Infantry Battalions
- 10 Cavalry Regiments
- 3 Artillery Batteries

AUSTRO-RUSSIAN V COLUMN at Austerlitz under Liechtenstein

Units: Austrian Cavalry Division: Hohenlohe

- Cavalry Brigade: Weber
- 1) Cuirassiers Heavy, Strength = 6, QR = Veteran
- Cavalry Brigade: Caramelli
- 2) Cuirassiers Heavy, Strength = 6, QR = Veteran
 - 3) Cuirassiers Heavy, Strength = 6, QR = Veteran
 - 4) Horse Artillery Medium Artillery, Strength = 3, QR = Average

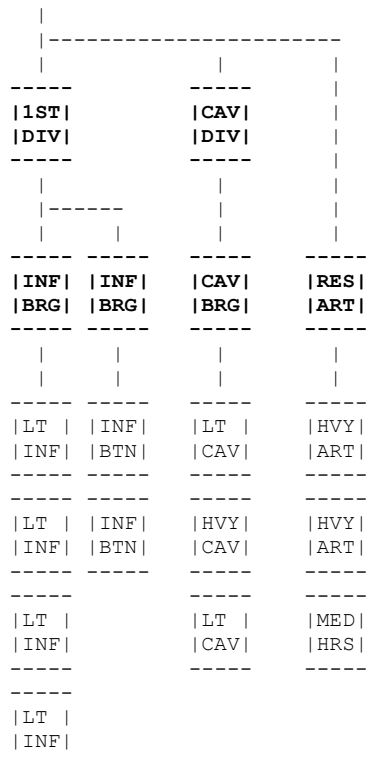
Units: Russian Cavalry Division: Essen

- Cavalry Brigade: Penitzki
- 1) Uhlans Light, Lance Armed, Strength = 8, QR = Average
- Cavalry Brigade: Uvarov
- 2) Hussars Light, Strength = 8, QR = Veteran
 - 3) Dragoons Medium, Strength = 4, QR = Average
 - 4) Dragoons Medium, Strength = 4, QR = Average
 - 5) Horse Artillery Medium Artillery, Strength = 4, QR = Average
- Attached Cavalry Brigade:
- 6) Cossacks Strength = 3, QR = Raw
 - 7) Cossacks Strength = 3, QR = Raw
 - 8) Cossacks Strength = 3, QR = Raw
 - 9) Cossack Horse Artillery Light Artillery, Strength = 4, QR = Raw

Austerlitz: 2 December 1805

The Grande Armee

 | FRENCH GUARD CORPS |
 | AT AUSTERLITZ | BESSIERES



Summary:

- 6 Infantry Battalions
- 3 Cavalry Regiments
- 3 Artillery Battery

FRENCH GUARD CORPS at Austerlitz under Bessieres

Units: Old Guard Infantry Division:

Infantry Brigade:

- | | |
|----------------------|-----------------------------------|
| 1) Chasseurs a pied | Light, Strength = 7, QR = Veteran |
| 2) Chasseurs a pied | Light, Strength = 7, QR = Veteran |
| 3) Grenadiers a pied | Light, Strength = 7, QR = Veteran |
| 4) Grenadiers a pied | Light, Strength = 7, QR = Veteran |

Units: Royal Italian Guard:

Infantry Brigade:

- | | |
|---------------------|-----------------------------------|
| 5) Chasseurs a pied | Light, Strength = 7, QR = Veteran |
| 6) Chasseurs a pied | Light, Strength = 7, QR = Veteran |

Units: Guard Cavalry Division:

Cavalry Brigade:

- | | |
|------------------------|-------------------------------------------|
| 7) Chasseurs a Cheval | Light Cavalry, Strength = 4, QR = Veteran |
| 8) Grenadiers a Cheval | Heavy Cavalry, Strength = 4 QR = Veteran |
| 9) Mamelukes | Light Cavalry, Strength = 2, QR = Veteran |

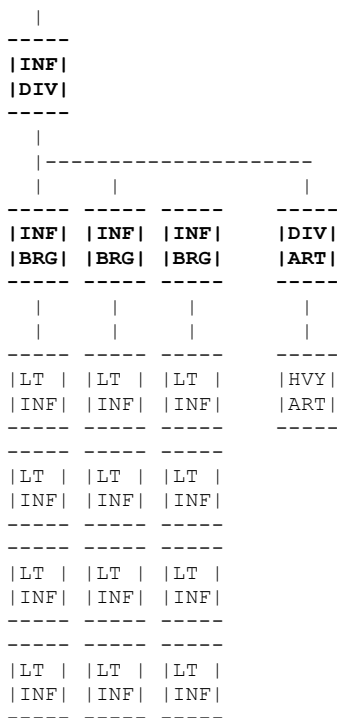
Units: Guard Reserve Artillery

- | | |
|---------------------------|----------------------------------------------|
| 10) Guard Foot Artillery | Heavy Artillery, Strength = 4, QR = Veteran |
| 11) Guard Foot Artillery | Heavy Artillery, Strength = 4, QR = Veteran |
| 12) Guard Horse Artillery | Medium Artillery, Strength = 4, QR = Veteran |

```

-----
| FRENCH GRENADIER RESERVE DIVISION |
| AT AUSTERLITZ | OUDINOT
-----

```



Summary:

- 10 Infantry Battalions
- 0 Cavalry Regiments
- 1 Artillery Battery

FRENCH GRENADIER RESERVE DIVISION at Austerlitz under Oudinot

Infantry Brigade:

- 1) Grenadiers Light, Strength = 5, QR = Veteran
- 2) Grenadiers Light, Strength = 5, QR = Veteran
- 3) Grenadiers Light, Strength = 5, QR = Veteran
- 4) Grenadiers Light, Strength = 5, QR = Veteran

Infantry Brigade:

- 5) Grenadiers Light, Strength = 5, QR = Veteran
- 6) Grenadiers Light, Strength = 5, QR = Veteran
- 7) Grenadiers Light, Strength = 5, QR = Veteran
- 8) Grenadiers Light, Strength = 5, QR = Veteran

Infantry Brigade:

- 9) Grenadiers Light, Strength = 5, QR = Veteran
- 10) Grenadiers Light, Strength = 5, QR = Veteran

Units: Guard Reserve Artillery

- 1) Foot Artillery Heavy Artillery, Strength = 4, QR = Veteran

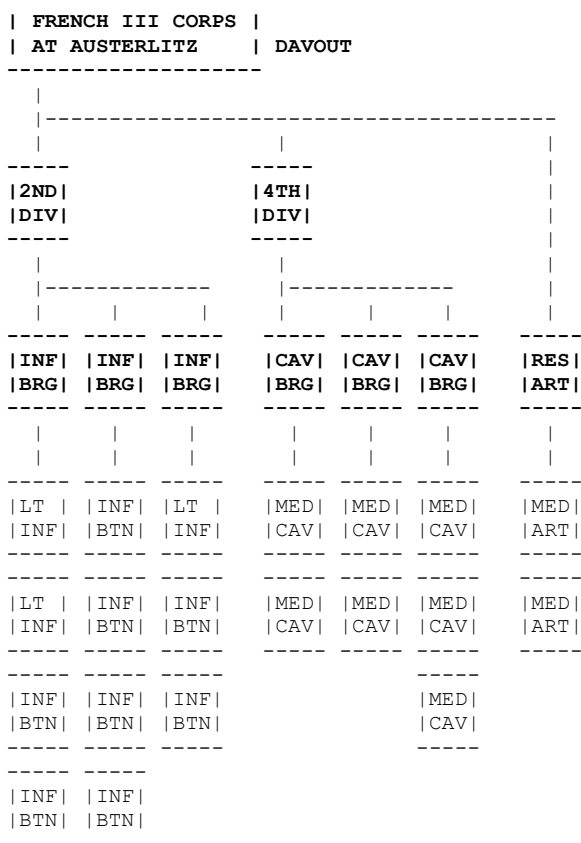
Units: 2nd Infantry Division: Drouet

Infantry Brigade: Frere

- 1) Light Infantry Light, Strength = 5, QR = Average
- 2) Light Infantry Light, Strength = 5, QR = Average
- 3) Light Infantry Light, Strength = 5, QR = Average

Infantry Brigade: Werle

- 4) Line Infantry Strength = 6, QR = Average
- 5) Line Infantry Strength = 6, QR = Average
- 6) Line Infantry Strength = 6, QR = Average
- 7) Line Infantry Strength = 6, QR = Average
- 8) Line Infantry Strength = 6, QR = Average
- 9) Line Infantry Strength = 6, QR = Average
- 10) Foot Artillery Medium Artillery, Strength = 4, QR = Average



Summary:

- 11 Infantry Battalions
- 7 Cavalry Regiments
- 2 Artillery Batteries

FRENCH III CORPS at Austerlitz under Davout

Units: 2nd Infantry Division: Saint Friant

Infantry Brigade: Kister

- 1) Light Infantry Light, Strength = 3, QR = Average
- 2) Light Infantry Light, Strength = 3, QR = Average
- 3) Line Infantry Strength = 3, QR = Average
- 4) Line Infantry Strength = 3, QR = Average

Infantry Brigade: Lochet

- 5) Line Infantry Strength = 3, QR = Average
- 6) Line Infantry Strength = 3, QR = Average
- 7) Line Infantry Strength = 3, QR = Average
- 8) Line Infantry Strength = 3, QR = Average

Infantry Brigade: Heudelet

- 9) Light Infantry Light, Strength = 3, QR = Average
- 10) Line Infantry Strength = 3, QR = Average
- 11) Line Infantry Strength = 3, QR = Average

Units: 4th Dragoon Division: Bourcier

Cavalry Brigade: Sahuc

- 1) Dragoons Medium Cavalry, Strength = 2, QR = Average
- 2) Dragoons Medium Cavalry, Strength = 2, QR = Average

Cavalry Brigade: Laplanche

- 3) Dragoons Medium Cavalry, Strength = 2, QR = Average
- 4) Dragoons Medium Cavalry, Strength = 2, QR = Average

Cavalry Brigade: Verdier

5) Dragoons

Medium Cavalry, Strength = 2, QR = Average

6) Dragoons

Medium Cavalry, Strength = 2, QR = Average

7) Dragoons

Medium Cavalry, Strength = 2, QR = Average

Units: Corps Reserve Artillery:

1) Horse Artillery

Medium Artillery, Strength = 3, QR = Average

2) Horse Artillery

Medium Artillery, Strength = 3, QR = Average

Infantry Brigade: Candras

- | | |
|-------------------|----------------------------|
| 7) Line Infantry | Strength = 7, QR = Average |
| 8) Line Infantry | Strength = 7, QR = Average |
| 9) Line Infantry | Strength = 7, QR = Average |
| 10) Line Infantry | Strength = 7, QR = Average |

Units: 3rd Infantry Division: Legrand

Infantry Brigade: Merle

- | | |
|-------------------|-----------------------------------|
| 1) Light Infantry | Light, Strength = 7, QR = Average |
| 2) Light Infantry | Light, Strength = 7, QR = Average |
| 3) Light Infantry | Light, Strength = 7, QR = Average |
| 4) Light Infantry | Light, Strength = 7, QR = Average |

Infantry Brigade: Fery

- | | |
|------------------|----------------------------|
| 5) Line Infantry | Strength = 7, QR = Average |
| 6) Line Infantry | Strength = 7, QR = Average |
| 7) Line Infantry | Strength = 7, QR = Average |

Infantry Brigade: Lavasseur

- | | |
|-------------------|----------------------------|
| 8) Line Infantry | Strength = 7, QR = Average |
| 9) Line Infantry | Strength = 7, QR = Average |
| 10) Line Infantry | Strength = 7, QR = Average |
| 11) Line Infantry | Strength = 7, QR = Average |

Attached Cavalry Brigade: Maragon

- | | |
|---------------------|----------------------------------------------|
| 12) Hussars | Light Cavalry, Strength = 3, QR = Average |
| 13) Chasseurs | Light Cavalry, Strength = 3, QR = Average |
| 14) Chasseurs | Light Cavalry, Strength = 3, QR = Average |
| 15) Horse Artillery | Medium Artillery, Strength = 3, QR = Average |

Units: Attached Cavalry Division: Beaumont

Cavalry Brigade: Boye

- | | |
|-------------|--------------------------------------------|
| 1) Dragoons | Medium Cavalry, Strength = 3, QR = Average |
| 2) Dragoons | Medium Cavalry, Strength = 3, QR = Average |
| 3) Dragoons | Medium Cavalry, Strength = 3, QR = Average |

Cavalry Brigade: Scalfort

- | | |
|-------------|--------------------------------------------|
| 4) Dragoons | Medium Cavalry, Strength = 3, QR = Average |
| 5) Dragoons | Medium Cavalry, Strength = 3, QR = Average |
| 6) Dragoons | Medium Cavalry, Strength = 3, QR = Average |

Units: Corps Reserve Artillery

- | | |
|-------------------|----------------------------------------------|
| 1) Foot Artillery | Medium Artillery, Strength = 4, QR = Average |
| 2) Foot Artillery | Medium Artillery, Strength = 4, QR = Average |
| 3) Foot Artillery | Medium Artillery, Strength = 4, QR = Average |
| 4) Foot Artillery | Medium Artillery, Strength = 4, QR = Average |

Infantry Brigade: Debilly

- | | |
|-------------------|----------------------------|
| 7) Line Infantry | Strength = 6, QR = Average |
| 8) Line Infantry | Strength = 6, QR = Average |
| 9) Line Infantry | Strength = 6, QR = Average |
| 10) Line Infantry | Strength = 6, QR = Average |

Units: Attached Dragoon Division: Walther

Cavalry Brigade: Sebastiani

- | | |
|-------------|--------------------------------------------|
| 1) Dragoons | Medium Cavalry, Strength = 2, QR = Average |
| 2) Dragoons | Medium Cavalry, Strength = 2, QR = Average |

Cavalry Brigade: Roget

- | | |
|-------------|--------------------------------------------|
| 3) Dragoons | Medium Cavalry, Strength = 2, QR = Average |
| 4) Dragoons | Medium Cavalry, Strength = 2, QR = Average |

Cavalry Brigade: Boussart

- | | |
|-------------|--------------------------------------------|
| 5) Dragoons | Medium Cavalry, Strength = 2, QR = Average |
| 6) Dragoons | Medium Cavalry, Strength = 2, QR = Average |

Units: Corps Reserve Artillery

- | | |
|--------------------|----------------------------------------------|
| 1) Foot Artillery | Medium Artillery, Strength = 4, QR = Average |
| 2) Foot Artillery | Medium Artillery, Strength = 3, QR = Average |
| 3) Horse Artillery | Medium Artillery, Strength = 3, QR = Average |
| 4) Horse Artillery | Medium Artillery, Strength = 3, QR = Average |

Cavalry Brigade: Picard

- 3) Hussars Light, Strength = 3, QR = Average
- 4) Chasseurs a Cheval Light, Strength = 3, QR = Average
- 5) Horse Artillery Medium Artillery, Strength = 3, QR = Average

Units: Attached Cavalry Division

Cavalry Brigade: Treillard

- 1) Hussars Light, Strength = 3, QR = Average
- 2) Hussars Light, Strength = 3, QR = Average

Cavalry Brigade: Fauconnet

- 3) Chasseurs a Cheval Light, Strength = 3, QR = Average
- 4) Chasseurs a Cheval Light, Strength = 3, QR = Average
- 5) Horse Artillery Medium Artillery, Strength = 3, QR = Average